

- Model 2A05 — Recessed *Bradex*<sup>®</sup>**  
(recesses 3-13/16"; projects 4-7/8")
- Model 2A05-10 — Semi-Recessed**  
(recesses 2"; projects 6 11/16")
- Model 2A05-11 — Surface-Mounted**  
(projects 8 11/16")
- Diplomat Series
- Folded Paper Towels

### Product Materials

**CABINET:** 0.030-inch/22-ga. (0.76 mm) stainless steel with exposed surfaces in architectural satin finish. Welded construction with seamless corners and burr-free edges.

**FLANGE:** 0.030-inch/22-ga. (0.76 mm) stainless steel with exposed surfaces in architectural satin finish. One piece seamless construction, 1" wide with 1/4" return.

**DOORS:** 0.036-inch/20-ga. (0.92 mm) stainless steel with full length piano hinge and tumbler lock keyed like other Bradley units. Front of door has matching curvature to other Bradley Diplomat washroom accessories.

**TOWEL DISPENSER:** 0.030-inch/22-ga. (0.76 mm) stainless steel with exposed surfaces in architectural satin finish. Rolled edge on towel dispenser opening.

**WASTE CONTAINER:** 0.036-inch/20-ga. (0.92 mm) stainless steel with exposed surfaces in architectural satin finish. All welded construction. Secured to cabinet with tumbler lock keyed like other Bradley units. Front of cabinet has matching curvature to other Bradley Diplomat washroom accessories.

### Capacity

Towel Dispenser — 800 multi fold or 600 C-fold paper towels.  
Waste Container — 12 gal. (1.6 cu. ft.)

### Operation

Towel dispenser holds multi-fold or C-fold towels without use of special adapter. Receptacle removable for servicing by unlocking waste container. Operates with less than 5 lbs. of force.

### Installation

Verify all rough-in dimensions prior to installation. Recessed unit requires rough wall opening 15 3/4"W x 54 1/2"H x 4"D (Semi-recessed unit only 2" deep). Secure to framing with mounting screws (not included) at holes provided. Shim at screw points as required. Surface mounted units must have holes drilled by installer.

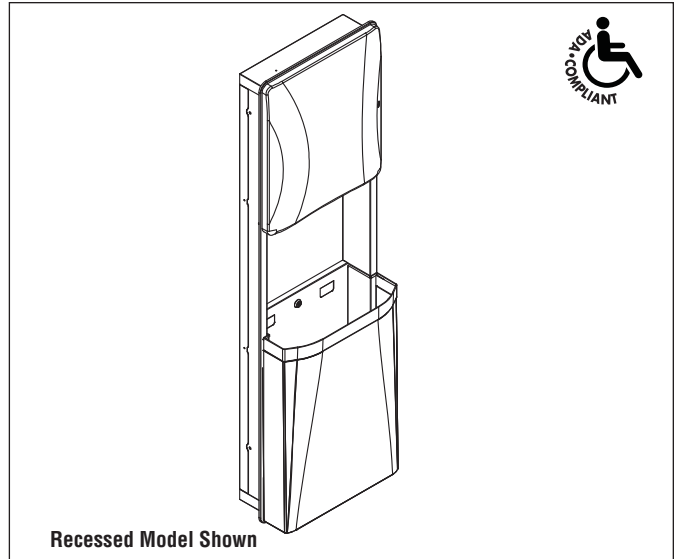
**Washroom Accessories  
Document No. 9402**

Page 1 of 2

This information is subject to change without notice.

Always consult local and national codes for proper installation guidelines. Conformity and compliance to local and national codes is the responsibility of the installer.

4-5-2011



### Guide Specification

Folded paper towel dispenser and [12 gal. /1.6 cu. ft.] [18 gal. /2.5 cu. ft.] capacity waste receptacle in [recessed] [semi-recessed] [surface-mounted] wall cabinet. Towel dispenser door and waste receptacle faces formed with contemporary contours, radii, and finish matching related accessories in manufacturer's designer series. Towel dispenser capacity 800 multi-fold or 600 C-fold paper towels, accessed with hinged service door with keyed tumbler lock. Dispenses using less than 5 lbs. of force. Waste receptacle removable from cabinet with keyed tumbler lock. Universal keying. Formed from stainless steel sheet with satin finish on exposed surfaces, fully welded, with seamless corners and burr-free edges: cabinet and flange 0.030-inch/22-ga. thick; door and waste receptacle 0.036-inch/20-ga. thick.

**Overall dimensions:** 17 1/8"W x 56"H x 8 11/16"D.

**MasterFormat Title:** Commercial Toilet Accessories

**MasterFormat Number:** 10 28 13.13

**OmniClass Title:** Toilet and Bath Specialties

**OmniClass Code:** 23.31.25.00

### Optional:

Feature	Suffix
<input type="checkbox"/> Large Capacity Waste Container: 18 gal.	-36

### ADA Compliant

- Consult local and national accessibility codes for proper installation guidelines.
- Conformity and compliance to local and national codes is the responsibility of the installer.

**Distributed by**

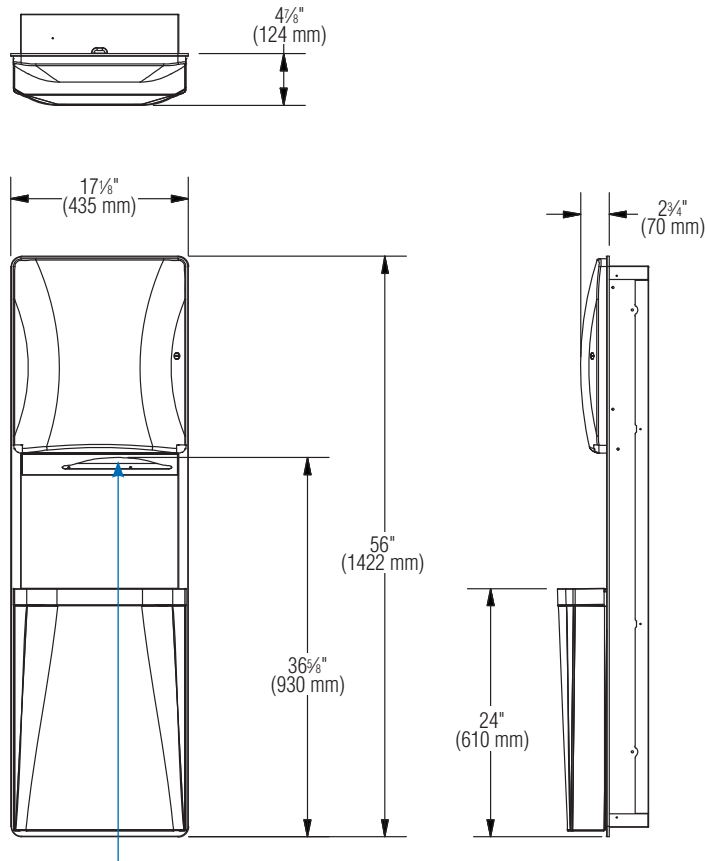
**www.Ameraproducts.com**

**Phone: (800) 608-6568**

**Fax: (409) 840-5545**

**info@ameraproducts.com**

**Dimensions**



**Recessed Model Shown  
(12 gal. Waste)**

**Dim. "A" to  
finished floor**



<b>Dim. "A" Key Surface:</b>	For Dim. "A"	Locate Top of Rough Wall Opening	Locate Bottom of Rough Wall Opening
<b>Paper towel top of opening to finished floor</b>	48" (1219mm)	66 1/2" (1689mm)	12" (305mm)
	45" (1143mm)	63 1/2" (1613mm)	9" (229mm)
	42" (1067mm)	60 1/2" (1537mm)	6" (152mm)
	40" (1016mm)	58 1/2" (1486mm)	4" (102mm)

**Washroom Accessories  
Document No. 9402**

Page 2 of 2

This information is subject to change without notice.

Always consult local and national codes for proper installation guidelines.

Conformity and compliance to local and national codes is the responsibility of the installer.

4-5-2011

**Distributed by**  
**www.Ameraproducts.com**  
**Phone: (800) 608-6568**  
**Fax: (409) 840-5545**  
**info@ameraproducts.com**