



Division 10 Catalog 2012

Washroom
Accessories
from Bradley –
One source for
all applications



Distributed by
www.Ameraproducts.com

Phone: (800) 608-6568

Fax: (409) 840-5545

info@ameraproducts.com

DIPL[★]MAT™

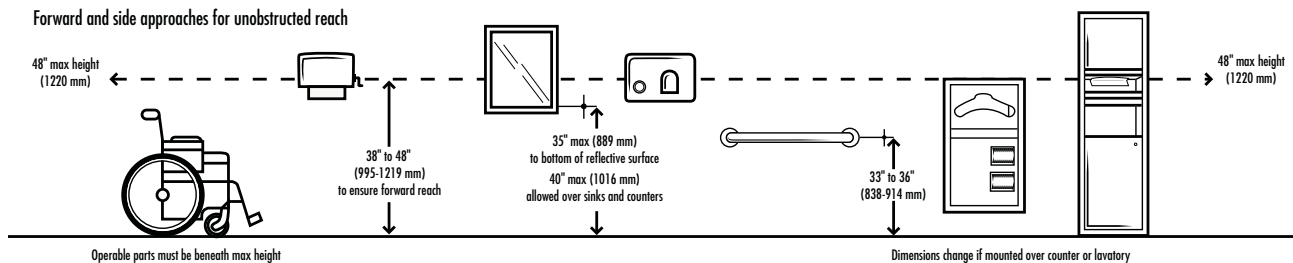
WASHROOM ACCESSORIES

See inside for details

BRADLEY WASHROOM ACCESSORIES WARRANTY

Product warranties may be found on Bradley's website bradleycorp.com

ACCESSIBILITY GUIDELINES



Note: Information from the ADA-ABA Accessibility Guidelines for Buildings and Facilities found on The United States Access Board website: <http://www.access-board.gov/>

Bradex® SHIPPING PROGRAM

All products designated as **Bradex**® products will ship three business days after the date the order has been entered and acknowledged by the Bradley Corporation. Standard shipping terms apply.

Please note: The entire order must consist of **Bradex**® products to qualify for three business day shipping.

Need it faster? One day shipping is available with the **Rush Express (BX-RX)** shipment option. Maximum quantities apply, please contact your local Bradley representative for further information.

Distributed by
www.AmeraProducts.com
Phone: (800) 608-6568
Fax: (409) 840-5545
info@ameraproducts.com

CONTENTS

2	Diplomat Accessories
6	Multi-Purpose Units
8	Towel Dispensers
20	Aerix® Hand Dryers
21	Waste Receptacles
25	Napkin/Tampon/Condom Vendors
27	Disposal Units
29	Toilet Tissue Holders
35	Combination Units
38	Soap Dispensers
44	Mirrors and Shelves
48	Grab Bars and Rails
50	Grab Bar Configurations
55	Grab Bars
56	Hospitality
69	Custodial
70	Shower Seats
74	Medicine Cabinets
75	Baby Changing Station
76	Health Care Units
77	Security Accessories
84	Mills® Partitions
85	Partition Styles
86	Lenox® Lockers
87	Maintenance Instructions
88	Index

INTRODUCING DIPLOMAT™ WASHROOM ACCESSORIES

With unique dual-curve geometry, Bradley's latest commercial-grade accessories are a sleek and elegant finishing touch to any restroom. With an array of unique features and the most models available in this class, Diplomat Accessories complete the look of the restroom.

ROLL-TOWEL DISPENSERS are available in manual, automatic or customer choice roll-towel options.

Maintain design aesthetic in spite of towel contracts as most popular brands will fit. No more unsightly holes in the walls, less wasted paper and easy maintenance.

FOLDED TOWEL DISPENSERS are easy to load, easy to service.

WASTE CONTAINERS are available in three sizes and three mounting options.

NAPKIN/TAMPON VENDORS are ADA-compliant – no jams, no false feeds.

NAPKIN/TAMPON WASTE RECEPTACLES accept all after-market industry liners.

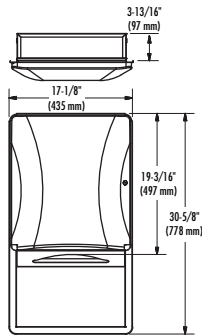
TOILET TISSUE DISPENSERS dispense freely with no binding – through-partition tissue dispenser also available. Seat-cover dispensers complete the line.

LOCKS are easily accessible and a single key opens all models for convenience and fast service.

SOAP DISPENSERS accept all liquid soaps and hand sanitizers. Hundreds of thousands of cycles, tested in high traffic settings.



See the New Diplomat Accessories on
pages 2, 3, 4, 5, 8, 9, 21, 25, 27, 29, 37, 38.

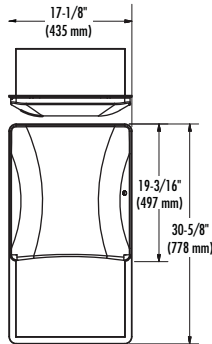


MODEL 2A00 NEW!

Designed with unique dual-curve geometry. Constructed of architectural satin finish stainless steel. Dispenses 800 multi-fold or 600 C-fold towels.

Rough wall opening 15½" W x 29⅞" H x 4" D.

- 10 Semi-Recessed
2" in wall, projects 4⅞" from wall.

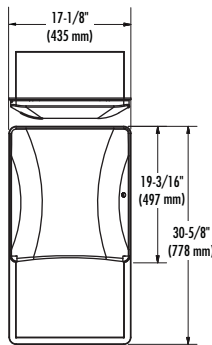


MODEL 2A01 NEW!

Lever operated towel dispenser delivers preset length of towel (5½" per stroke). Towel dispenser capacity is one standard core 8" W x 8" diameter standard roll paper towels.

Rough wall opening 15½" W x 29⅞" H x 9¾" D.

- 10 Semi-Recessed
4" in wall, projects 8½" from wall.
- 11 Surface-Mounted **Bradex**[®]
Projects 12½" from wall.

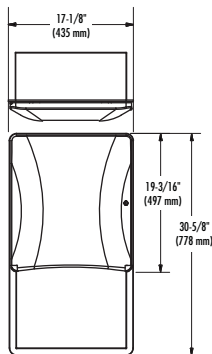


MODEL 2A02 NEW!

Sensor-activated roll paper towel dispenser delivers 10" per operation. Towel dispenser capacity is one standard core 8" W x 8" diameter standard roll paper towels.

Rough wall opening 15½" W x 29⅞" H x 9¾" D.

- 10 Semi-Recessed
4" in wall, projects 8½" from wall.
- 11 Surface-Mounted **Bradex**[®]
Projects 13¼" from wall.

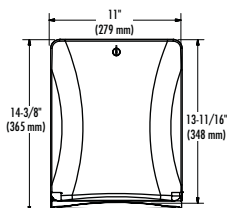


MODEL 2A09 NEW!

Designed with unique dual-curve geometry. Constructed of architectural satin finish stainless steel. **Designed for field installation of customer-provided towel dispenser.** Suggested use with 2494, 2496, and 2497.

Rough wall opening 15½" W x 29⅞" H x 9¾" D.

- 10 Semi-Recessed
4" in wall, projects 8½" from wall.
- 11 Surface-Mounted **Bradex**[®]
Projects 13¼" from wall.

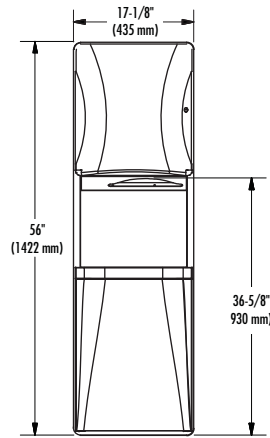


MODEL 2A10-11 **Bradex**[®] NEW!

Designed with unique dual-curve geometry. Constructed of architectural satin finish stainless steel. Surface-mounted, paper towel dispenser. Dispenses 800 multi-fold or 600 C-fold towels.

Unit measures 11" W x 14⅞" H x 5¼" D.

Distributed by
www.Ameraproducts.com
 Phone: (800) 608-6568
 Fax: (409) 840-5545
info@ameraproducts.com

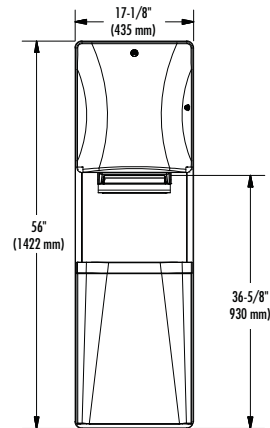


MODEL 2A05 Bradex® NEW!

Designed with unique dual-curve geometry. Constructed of architectural satin finish stainless steel. Dispenses 800 multi-fold and 600 C-fold paper towels. 12 gallon, stainless steel waste receptacle.

Rough wall opening 15 $\frac{3}{4}$ " W x 54 $\frac{1}{2}$ " H x 4" D.

- 10 Semi-Recessed
2" in wall, projects 6 $\frac{1}{16}$ " from wall.
- 11 Surface-Mounted
Projects 8 $\frac{1}{16}$ " from wall.

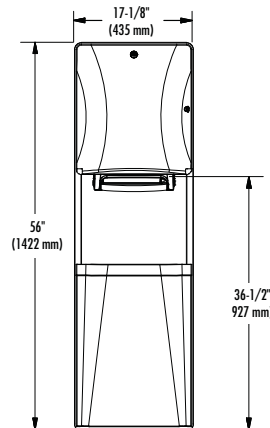


MODEL 2A15-36 NEW!

Lever operated towel dispenser delivers preset length of towel (5 $\frac{1}{2}$ " per stroke). Towel dispenser capacity is one standard core 8" W x 8" diameter standard roll paper towels. 21-gallon stainless steel waste receptacle.

Rough wall opening 15 $\frac{5}{8}$ " W x 54 $\frac{5}{8}$ " H x 9 $\frac{7}{8}$ " D.

- 1036 Semi-Recessed
4" in wall, projects 10 $\frac{1}{16}$ " from wall.
- 1136 Surface-Mounted
Projects 14 $\frac{1}{16}$ " from wall.

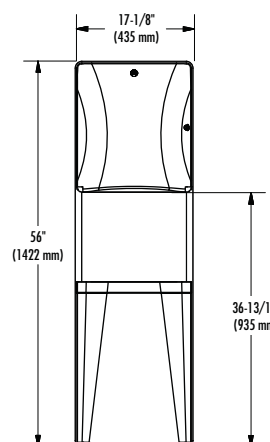


MODEL 2A25-36 NEW!

Sensor-activated roll paper towel dispenser delivers 10" per operation. Towel dispenser capacity is one standard core 8" W x 8" diameter standard roll paper towels. 21-gallon stainless steel waste receptacle.

Rough wall opening 15 $\frac{5}{8}$ " W x 54 $\frac{5}{8}$ " H x 9 $\frac{7}{8}$ " D.

- 1036 Semi-Recessed
4" in wall, projects 10 $\frac{1}{16}$ " from wall.
- 1136 Surface-Mounted
Projects 14 $\frac{1}{16}$ " from wall.



MODEL 2A95-36 NEW!

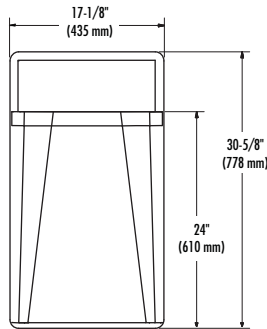
Designed with unique dual-curve geometry. Constructed of architectural satin finish stainless steel. **Designed for field installation of customer-provided towel dispenser.** Suggested use with 2494, 2496, and 2497. 21-gallon stainless steel waste receptacle.

Rough wall opening 15 $\frac{5}{8}$ " W x 54 $\frac{5}{8}$ " H x 9 $\frac{7}{8}$ " D.

- 1036 Semi-Recessed
3 $\frac{1}{2}$ " in wall, projects 9 $\frac{5}{16}$ " from wall.
- 1136 Surface-Mounted
Projects 12 $\frac{13}{16}$ " from wall.



Distributed by
www.Ameraproducts.com
 Phone: (800) 608-6568
 Fax: (409) 840-5545
info@ameraproducts.com



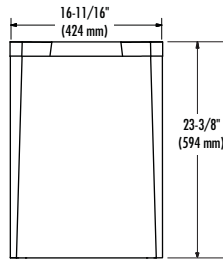
MODEL 3A05 Bradex® NEW!

Designed with unique dual-curve geometry. Constructed of architectural satin finish stainless steel. 12-gallon, removable, stainless steel waste receptacle. Secured to cabinet with tumbler lock. Recess-mounted.

Rough wall opening 15³/₄" W x 29⁵/₁₆" H x 4" D.

-10 Semi-Recessed 2" in wall, projects 6¹/₁₆" from wall.

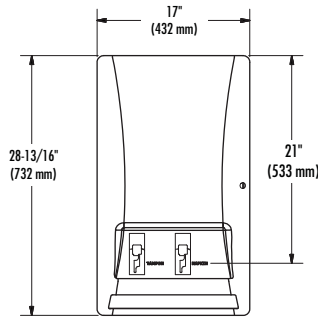
-11 Surface-Mounted Projects 8¹/₁₆" from wall.



MODEL 3A15-11 Bradex® NEW!

Designed with unique dual-curve geometry. Constructed of architectural satin finish stainless steel. 16.5-gallon, stainless steel waste receptacle.

Unit measures 16¹/₁₆" W x 23³/₈" H x 11¹/₁₆" D.



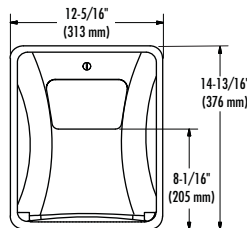
MODEL 4A20 NEW!

Designed with unique dual-curve geometry. Constructed of architectural satin finish stainless steel. Recess-mounted napkin/tampon vendor. Dispenses 18 napkins and 28 tampons. Specify coin choice (Free, 10¢, 25¢, 50¢, \$1.00 and Euro).

Rough wall opening 16¹/₈" W x 27⁷/₈" H x 4" D.

-11 Surface-Mounted Projects 5³/₄" from wall.

-45 25¢ Coin Operation Bradex®

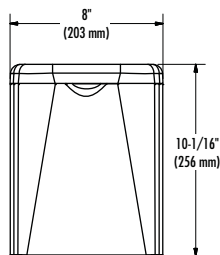


MODEL 4A00 Bradex® NEW!

Designed with unique dual-curve geometry. Constructed of architectural satin finish stainless steel. 1.5-gallon, recess-mounted napkin disposal with push-flap door. Removable plastic disposal.

Rough wall opening 11¹/₄" W x 13³/₄" H x 4" D.

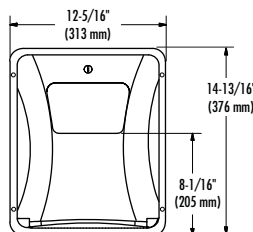
-10 Semi-Recessed 2" in wall, projects 3³/₄" from wall.



MODEL 4A10-11 Bradex® NEW!

Designed with unique dual-curve geometry. Constructed of architectural satin finish stainless steel. 1.5-gallon, surface-mounted napkin disposal with hinged cover. Accepts all after-market industry liners.

Unit measures 8" W x 10¹/₁₆" H x 3⁷/₈" D.

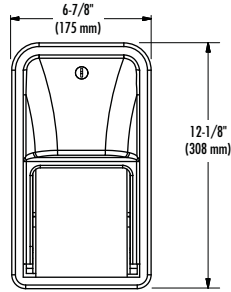


MODEL 4A11 NEW!

Designed with unique dual-curve geometry. Constructed of architectural satin finish stainless steel. Mounts in partition to serve two compartments. 1.5-gallon napkin disposal with self-closing push-flap door. Removable plastic disposal.

Rough wall opening 11¹/₄" W x 13³/₄" H.

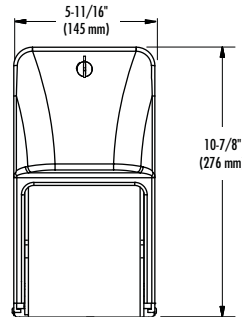




MODEL 5A00 Bradex® NEW!

Designed with unique dual-curve geometry. Constructed of architectural satin finish stainless steel. Recess-mounted, non-controlled delivery toilet tissue holder. Cabinet holds two rolls up to 1½" W x 5¼" diameter standard core toilet tissue. Molded polyethylene spindles.

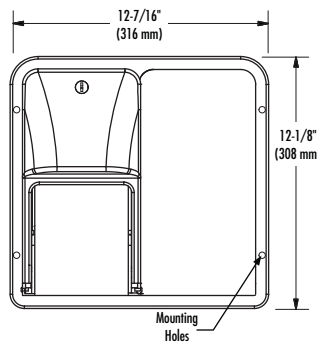
Rough wall opening 6" W x 11½" H x 4"D.



MODEL 5A10 Bradex® NEW!

Designed with unique dual-curve geometry. Constructed of architectural satin finish stainless steel. Surface-mounted, non-controlled delivery toilet tissue holder. Cabinet holds two rolls up to 4½" W x 5¼" diameter standard core toilet tissue. Molded polyethylene spindles.

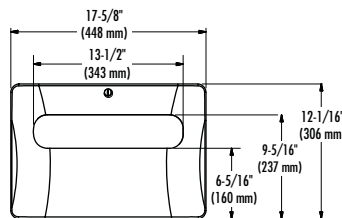
Unit measures 5⅞" W x 10⅞" H x 6⅜" D.



MODEL 5A20 NEW!

Designed with unique dual-curve geometry. Constructed of architectural satin finish stainless steel. Partition-mounted, non-controlled delivery toilet tissue holder. Double-sided unit includes single-roll dispenser with roll-in-reserve serving each compartment. Each cabinet holds two rolls up to 4½" W x 5¼" diameter standard core toilet tissue. Molded polyethylene spindles.

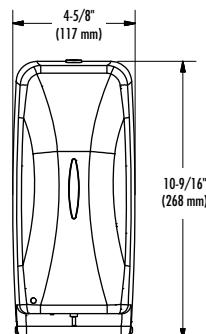
Rough wall opening 11½" H x 11½" W.



MODEL 5A40-11 Bradex® NEW!

Designed with unique dual-curve geometry. Constructed of architectural satin finish stainless steel. Surface-mounted seat cover dispenser. Dispenses 250 standard single or half-fold paper toilet seat covers.

Unit measures 17⅝" W x 12¼" H x 1¾" D.



MODEL 6A00-11 Bradex® NEW!

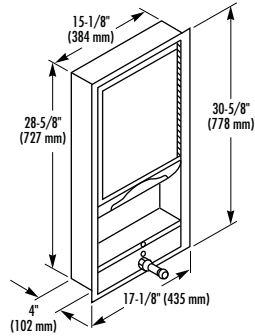
Designed with unique dual-curve geometry. Constructed of architectural satin finish stainless steel. Surface-mounted, automatic, liquid soap dispenser with 27 oz. capacity. Can also dispense hand sanitizer. Red light indicates low battery.

Unit measures 4⅝" W x 10⅞" H x 4⅜" D.

Distributed by
www.Ameraproducts.com
 Phone: (800) 608-6568
 Fax: (409) 840-5545
 info@ameraproducts.com

You need options and we have them. Accessories to fit every washroom – and every budget. Contemporary satin finish stainless steel design to match any decor in recessed, semi-recessed and surface-mounted styles. From stylish restaurants and office buildings to schools and recreation centers, Bradley's line of accessories will fit any application.

Optional Features are listed on page 7.



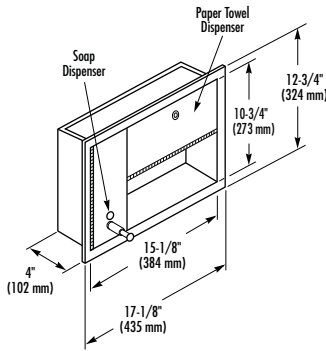
MODEL 130

Recessed unit with mirrored door 15" W x 18" H. 800 multi-fold or 600 C-fold towel capacity. Soap dispenser with lock slides open for filling with capacity for 100 oz. of liquid soap. Refill gauge. Mirrored door and soap dispenser locks keyed alike.

Rough wall opening 15⁵/₈" W x 29¹/₈" H x 4" D.

-10 Semi-Recessed
 Projects 2" from wall.

-11 Surface-Mounted
 Projects 4" from wall.

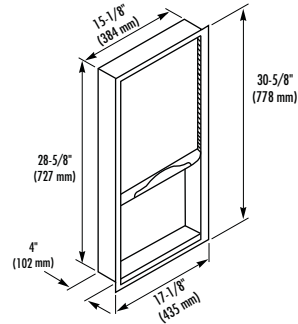


MODEL 1471

Recessed unit dispenses 250 multi-fold or 150 C-fold towels. Swing out soap dispenser for filling with capacity for 40 oz. of liquid soap. Sight gauge indicates refill time.

Rough wall opening 15¹/₂" W x 11¹/₄" H x 4" D.

-11 Surface-Mounted
 Projects 4" from wall.

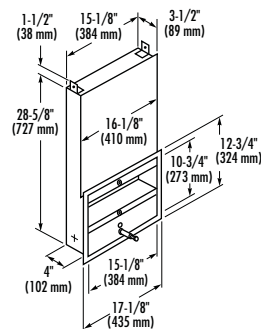


MODEL 155

Mirrored door 15" W x 18" H. 800 multi-fold or 600 C-fold towel capacity.

Rough wall opening 15⁵/₈" W x 29¹/₈" H x 4" D.

-11 Surface-Mounted
 Projects 4" from wall.



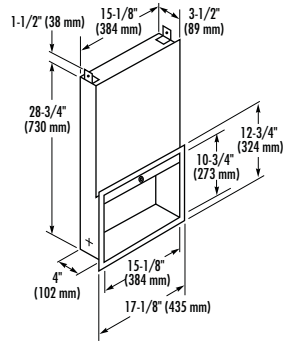
MODEL 194

For use behind continuous mirror or finished wall. 800 multi-fold or 600 C-fold towel capacity. Lock secured. Soap dispenser secured with lock slides open for filling with capacity for 100 oz. of liquid soap. Refill gauge. Locks on towel and soap dispensers keyed alike.

Rough wall opening 15⁵/₈" W x 30¹/₄" H x 4" D.

Use with 1/2" thick drywall installations.



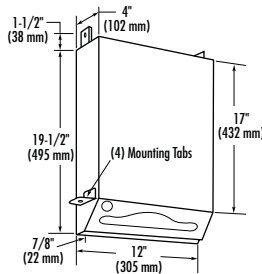


MODEL 198

For use behind continuous mirror or finished wall. 800 multi-fold or 600 C-fold towel capacity. Lock secured.

Rough wall opening 15⁵/₈" W x 30¹/₄" H x 4" D.

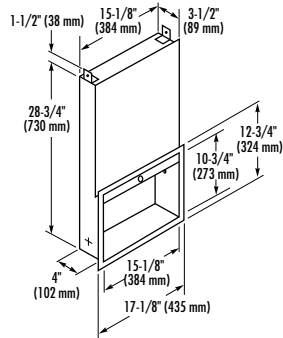
Use with 1/2" thick drywall installations.



MODEL 1981

In-wall mounted towel dispenser for use behind mirror. Dispenses 800 multi-fold or 600 C-fold towels. Lock secures behind hinged dispenser lip which opens for bottom refilling.

Rough wall opening 12¹/₂" W x 18¹/₂" H x 4" D.



MODEL 1985

For use behind continuous mirror or finished wall. 800 multi-fold or 600 C-fold towel capacity. Lock secures hinged towel dispenser lip which opens for refilling from bottom.

Rough wall opening 15⁵/₈" W x 30¹/₄" H x 4" D.

Use with 5/8" thick drywall installations.



OPTIONAL FEATURES

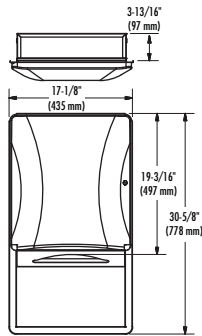
FEATURES	MODELS	ADD SUFFIX
Semi recessed (2" in-wall depth for 4" units, 3 ¹ / ₂ " in-wall depth for 7 ¹ / ₂ " units)	All except 194, 198	- 10
Surface mounted (4" collar standard on 4" units, 7 ¹ / ₂ " collar standard on 7 ¹ / ₂ " units)	All except 194, 198	- 11
Two liquid valves	All units with soap reservoirs except 1471	- 14
Interior shelves	130, 155	- 16
Single-fold towels (7 ¹ / ₂ " depth, 1,000 capacity)	130, 155	- 20
Stainless steel door in lieu of mirror*	130, 155, 175	- 21
No. 8 stainless steel mirror in lieu of glass	All except 1471, 194, 198	- 23
Adjustable tilt mirror	130, 155, 170	- 25
Cup dispenser	130, 155	- 27

* Available on other models on request.

Note: Some option combinations may not be available on a single unit. Consult your Bradley representative.

Distributed by
www.Ameraproducts.com
 Phone: (800) 608-6568
 Fax: (409) 840-5545
 info@ameraproducts.com

TOWEL DISPENSERS 200 SERIES

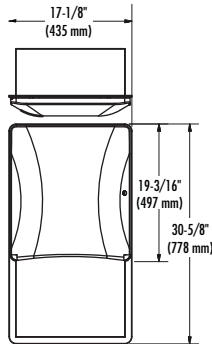


MODEL 2A00 NEW!

Designed with unique dual-curve geometry. Constructed of architectural satin finish stainless steel. Dispenses 800 multi-fold or 600 C-fold towels.

Rough wall opening 15½" W x 29⅞" H x 4" D.

- 10 Semi-Recessed
2" in wall, projects 4⅞" from wall.

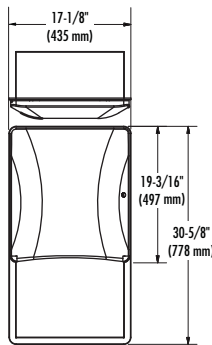


MODEL 2A01 NEW!

Lever operated towel dispenser delivers preset length of towel (5½" per stroke). Towel dispenser capacity is one standard core 8" W x 8" diameter standard roll paper towels.

Rough wall opening 15½" W x 29⅞" H x 9¾" D.

- 10 Semi-Recessed
4" in wall, projects 8½" from wall.
- 11 Surface-Mounted **Bradex**[®]
Projects 12½" from wall.

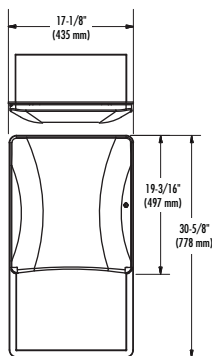


MODEL 2A02 NEW!

Sensor-activated roll paper towel dispenser delivers 10" per operation. Towel dispenser capacity is one standard core 8" W x 8" diameter standard roll paper towels.

Rough wall opening 15½" W x 29⅞" H x 9¾" D.

- 10 Semi-Recessed
4" in wall, projects 8½" from wall.
- 11 Surface-Mounted **Bradex**[®]
Projects 13¼" from wall.

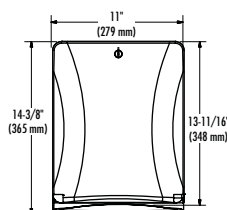


MODEL 2A09 NEW!

Designed with unique dual-curve geometry. Constructed of architectural satin finish stainless steel. **Designed for field installation of customer-provided towel dispenser.** Suggested use with 2494, 2496, and 2497.

Rough wall opening 15½" W x 29⅞" H x 9¾" D.

- 10 Semi-Recessed
4" in wall, projects 8½" from wall.
- 11 Surface-Mounted **Bradex**[®]
Projects 13¼" from wall.

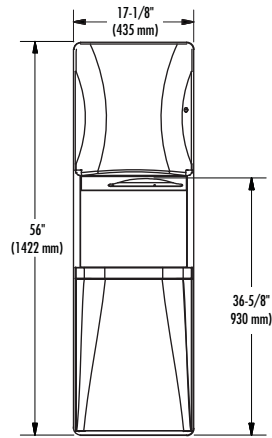


MODEL 2A10-11 **Bradex**[®] NEW!

Designed with unique dual-curve geometry. Constructed of architectural satin finish stainless steel. Surface-mounted, paper towel dispenser. Dispenses 800 multi-fold or 600 C-fold towels.

Unit measures 11" W x 14⅞" H x 5¼" D.

Distributed by
www.Ameraproducts.com
 Phone: (800) 608-6568
 Fax: (409) 840-5545
 info@ameraproducts.com

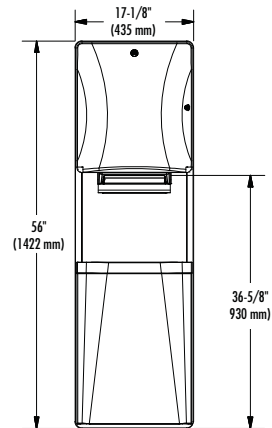


MODEL 2A05 Bradex® NEW!

Designed with unique dual-curve geometry. Constructed of architectural satin finish stainless steel. Dispenses 800 multi-fold and 600 C-fold paper towels. 12 gallon, stainless steel waste receptacle.

Rough wall opening 15 $\frac{3}{8}$ " W x 54 $\frac{1}{2}$ " H x 4" D.

- 10 Semi-Recessed
2" in wall, projects 6 $\frac{1}{16}$ " from wall.
- 11 Surface-Mounted
Projects 8 $\frac{1}{16}$ " from wall.

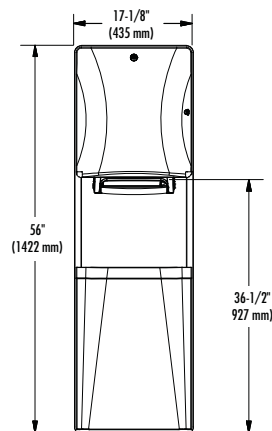
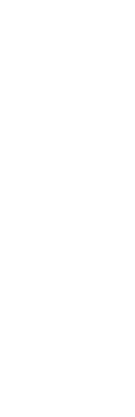


MODEL 2A15-36 NEW!

Lever operated towel dispenser delivers preset length of towel (5 $\frac{1}{2}$ " per stroke). Towel dispenser capacity is one standard core 8" W x 8" diameter standard roll paper towels. 21-gallon stainless steel waste receptacle.

Rough wall opening 15 $\frac{5}{8}$ " W x 54 $\frac{5}{8}$ " H x 9 $\frac{7}{8}$ " D.

- 1036 Semi-Recessed
4" in wall, projects 10 $\frac{1}{16}$ " from wall.
- 1136 Surface-Mounted
Projects 14 $\frac{1}{16}$ " from wall.

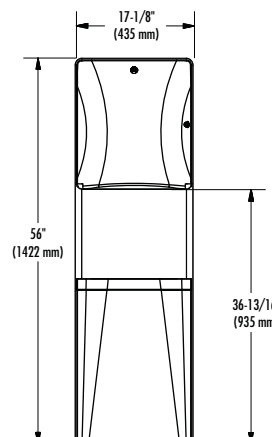


MODEL 2A25-36 NEW!

Sensor-activated roll paper towel dispenser delivers 10" per operation. Towel dispenser capacity is one standard core 8" W x 8" diameter standard roll paper towels. 21-gallon stainless steel waste receptacle.

Rough wall opening 15 $\frac{5}{8}$ " W x 54 $\frac{5}{8}$ " H x 9 $\frac{7}{8}$ " D.

- 1036 Semi-Recessed
4" in wall, projects 10 $\frac{1}{16}$ " from wall.
- 1136 Surface-Mounted
Projects 14 $\frac{1}{16}$ " from wall.



MODEL 2A95-36 NEW!

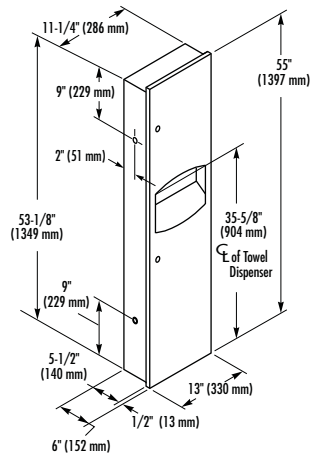
Designed with unique dual-curve geometry. Constructed of architectural satin finish stainless steel. **Designed for field installation of customer-provided towel dispenser.** Suggested use with 2494, 2496, and 2497. 21-gallon stainless steel waste receptacle.

Rough wall opening 15 $\frac{5}{8}$ " W x 54 $\frac{5}{8}$ " H x 9 $\frac{7}{8}$ " D.

- 1036 Semi-Recessed
3 $\frac{1}{2}$ " in wall, projects 9 $\frac{5}{16}$ " from wall.
- 1136 Surface-Mounted
Projects 12 $\frac{13}{16}$ " from wall.



TOWEL DISPENSERS 200 SERIES



MODEL 2017 Bradex[®] CONTEMPORARY SERIES

Constructed of architectural satin finish stainless steel. Dispenses 1,100 single-fold, 800 multi-fold or 600 C-fold towels. Waste receptacle has push-flap door and 4.9-gallon, removable, molded-plastic insert.

Rough wall opening 11³/₄" W x 53⁵/₈" H x 5³/₄" D.

-10 Semi-Recessed

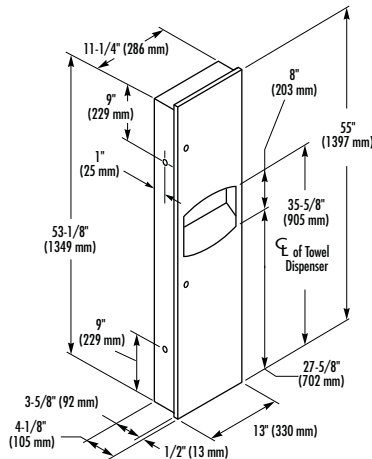
3¹/₂" in wall, projects 2¹/₂" from wall.

-11 Surface-Mounted

Projects 6" from wall.



Distributed by
www.Ameraproducts.com
 Phone: (800) 608-6568
 Fax: (409) 840-5545
info@ameraproducts.com



MODEL 2027 Bradex[®] CONTEMPORARY SERIES

Constructed of architectural satin finish stainless steel. Dispenses 800 multi-fold or 600 C-fold towels. Waste receptacle has 3.3-gallon, removable, molded-plastic insert.

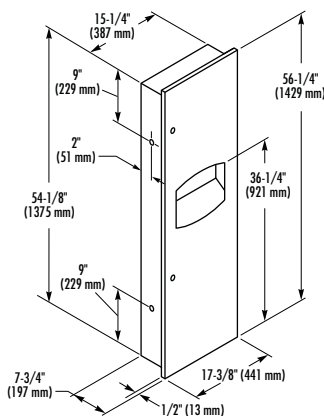
Rough wall opening 11³/₄" W x 53⁵/₈" H x 3³/₄" D.

-10 Semi-Recessed

2³/₈" in wall, projects 2" from wall.

-11 Surface-Mounted

Projects 4³/₈" from wall.



MODEL 2037 Bradex[®] CONTEMPORARY SERIES

Constructed of architectural satin finish stainless steel. Dispenses 1,100 single-fold, 800 multi-fold or 600 C-fold towels. Waste receptacle has 11.2-gallon, removable, molded-plastic insert.

Rough wall opening 15³/₄" W x 54⁵/₈" H x 7¹/₂" D.

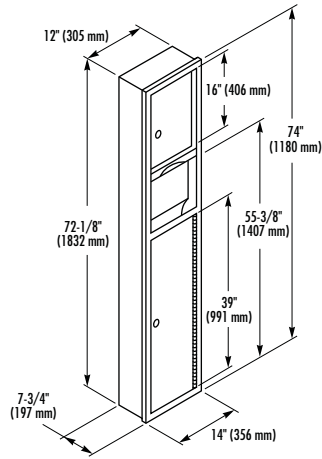
-10 Semi-Recessed

3³/₄" in wall, projects 4" from wall.

-11 Surface-Mounted

Projects 7³/₄" from wall.





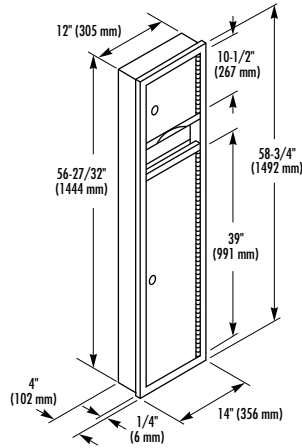
MODEL 225

Constructed of architectural satin finish stainless steel. Adjustable towel guide dispenses 1,000 single-fold, 800 multi-fold or 600 C-fold towels. Waste receptacle has 9.2-gallon, removable, leak-proof, molded-plastic insert.

Rough wall opening 12½" W x 72¾" H x 7¾" D.

- 10 **Semi-Recessed**
3½" in wall, projects 4" from wall.
- 11 **Surface-Mounted**
Projects 7½" from wall.

Distributed by
www.Ameraproducts.com
 Phone: (800) 608-6568
 Fax: (409) 840-5545
 info@ameraproducts.com

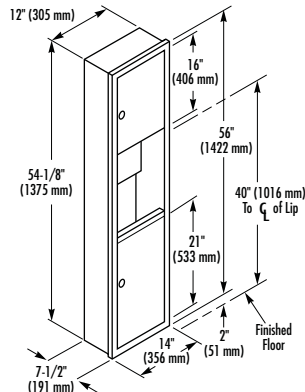


MODEL 2251

Constructed of architectural satin finish stainless steel. Dispenses 450 multi-fold or 250 C-fold towels. Waste receptacle has 5.3-gallon, removable, molded-plastic insert.

Rough wall opening 12½" W x 57½" H x 4" D.

- 10 **Semi-Recessed**
2" in wall, projects 2" from wall.
- 11 **Surface-Mounted**
Projects 4" from wall.



MODEL 2252

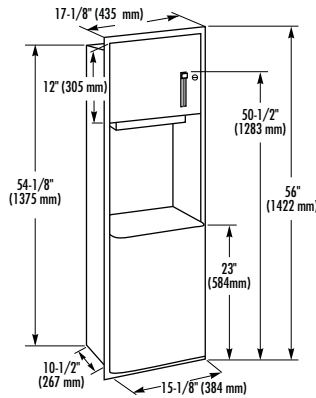
Constructed of architectural satin finish stainless steel. Adjustable towel guide dispenses 1,000 single-fold, 700 multi-fold or 400 C-fold towels. Waste receptacle has 4.9-gallon, removable, leak-proof, molded-plastic insert.

Rough wall opening 12½" W x 54⅝" H x 7½" D.

- 10 **Semi Recessed**
3½" in wall, projects 4" from wall.
- 11 **Surface Mounted**
Projects 7½" from wall.



Distributed by
www.Ameraproducts.com
 Phone: (800) 608-6568
 Fax: (409) 840-5545
info@ameraproducts.com

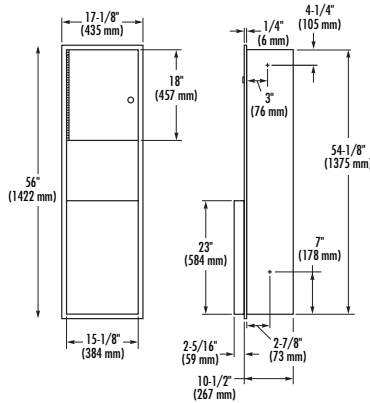


MODEL 227

Constructed of architectural satin finish stainless steel. Towel dispenser capacity is one standard core 8" or 9" W x 800" L roll paper towel. Waste receptacle is 18-gallon, removable stainless steel. Heavy-duty, reusable, 18-gallon liner available as an accessory. Order separately using part number **P11-001**.

Rough wall opening 15⁵/₈" W x 54⁵/₈" H x 10¹/₂" D.

- 10 **Semi-Recessed**
3¹/₂" in wall, projects 9⁵/₁₆" from wall.
- 11 **Surface-Mounted**
Projects 12¹³/₁₆" from wall.

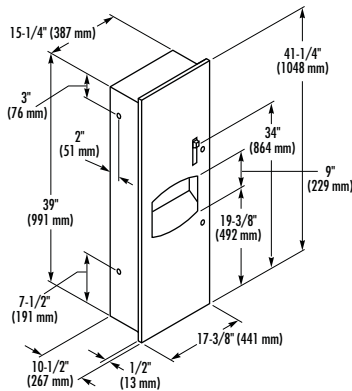


MODEL 2271 Unit without Roll Towel Mechanism

Designed for field installation of customer-provided towel dispenser. Suggested use with 2494, 2496 or 2497.

Rough wall opening 15⁵/₈" W x 54⁵/₈" H x 10¹/₂" D.

- 10 **Semi Recessed**
3¹/₂" in wall, projects 9⁵/₁₆" from wall.
- 11 **Surface Mounted**
Projects 12¹³/₁₆" from wall.

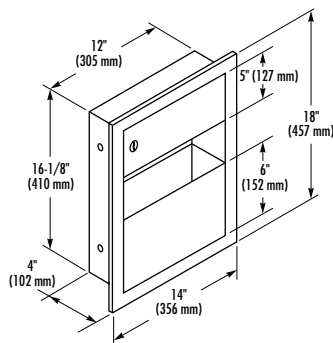


MODEL 2277 Bradex® CONTEMPORARY SERIES

Constructed of architectural satin finish stainless steel. Dispenses one standard core roll 8" or 9" W x 800" L roll paper towel. Waste receptacle has 10.5-gallon, removable, molded-plastic insert.

Rough wall opening 15³/₄" W x 39¹/₂" H x 10¹/₄" D.

- 10 **Semi-Recessed**
3¹/₂" in wall, projects 7" from wall.
- 11 **Surface-Mounted**
Projects 10¹/₂" from wall.



MODEL 229

Constructed of architectural satin finish stainless steel. Dispenses 200 multi-fold or 100 C-fold towels. Waste receptacle has 1.25-gallon, removable, stainless steel insert.

Rough wall opening 12¹/₂" W x 16¹/₂" H x 4" D.

- 10 **Semi-Recessed**
2" in wall, projects 2" from wall.
- 11 **Surface-Mounted**
Projects 4" from wall.



Distributed by
www.AmeraProducts.com
Phone: (800) 608-6568
Fax: (409) 840-5545
info@ameraproducts.com

CONTENTS

- 2 Diplomat Accessories
- 6 Multi-Purpose Units
- 8 Towel Dispensers
- 20 Aerix® Hand Dryers
- 21 Waste Receptacles
- 25 Napkin/Tampon/Condom Vendors
- 27 Disposal Units
- 29 Toilet Tissue Holders
- 35 Combination Units
- 38 Soap Dispensers
- 44 Mirrors and Shelves
- 48 Grab Bars and Rails
- 50 Grab Bar Configurations
- 55 Grab Bars
- 56 Hospitality
- 69 Custodial
- 70 Shower Seats
- 74 Medicine Cabinets
- 75 Baby Changing Station
- 76 Health Care Units
- 77 Security Accessories
- 84 Mills® Partitions
- 85 Partition Styles
- 86 Lenox® Lockers
- 87 Maintenance Instructions
- 88 Index

INTRODUCING DIPLOMAT™ WASHROOM ACCESSORIES

With unique dual-curve geometry, Bradley's latest commercial-grade accessories are a sleek and elegant finishing touch to any restroom. With an array of unique features and the most models available in this class, Diplomat Accessories complete the look of the restroom.

ROLL-TOWEL DISPENSERS are available in manual, automatic or customer choice roll-towel options.

Maintain design aesthetic in spite of towel contracts as most popular brands will fit. No more unsightly holes in the walls, less wasted paper and easy maintenance.

FOLDED TOWEL DISPENSERS are easy to load, easy to service.

WASTE CONTAINERS are available in three sizes and three mounting options.

NAPKIN/TAMPON VENDORS are ADA-compliant – no jams, no false feeds.

NAPKIN/TAMPON WASTE RECEPTACLES accept all after-market industry liners.

TOILET TISSUE DISPENSERS dispense freely with no binding – through-partition tissue dispenser also available. Seat-cover dispensers complete the line.

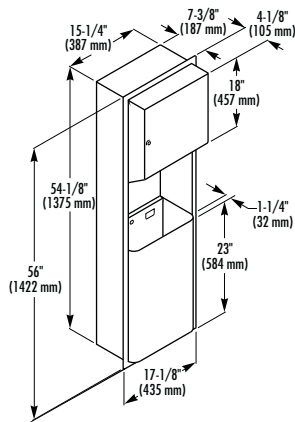
LOCKS are easily accessible and a single key opens all models for convenience and fast service.

SOAP DISPENSERS accept all liquid soaps and hand sanitizers. Hundreds of thousands of cycles, tested in high traffic settings.



See over 50 Diplomat models on bradleycorp.com/Diplomat

See the New Diplomat Accessories on
pages 2, 3, 4, 5, 8, 9, 21, 25, 27, 29, 37, 38.



MODEL 236

Constructed of architectural satin finish stainless steel. Dispenses one standard center-pull towel roll up to 9" wide x 9" diameter. 12-gallon, stainless steel waste receptacle. Heavy-duty, reusable, 12-gallon liner available as an accessory. Order separately using part number **P11-004**.

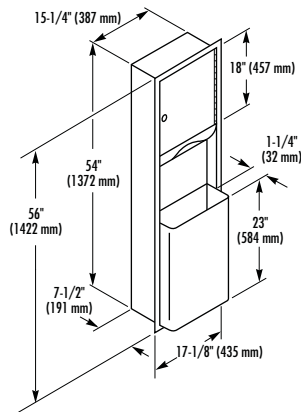
Rough wall opening 15 $\frac{3}{4}$ " W x 54 $\frac{1}{2}$ " H x 7 $\frac{1}{2}$ " D.

-10 Semi-Recessed

3 $\frac{5}{8}$ " in wall, projects 7 $\frac{3}{8}$ " from wall.

-11 Surface-Mounted

Projects 11 $\frac{1}{2}$ " from wall.



MODEL 237

Constructed of architectural satin finish stainless steel. Dispenses 1,100 single-fold, 800 multi-fold or 600 C-fold towels. 12-gallon, stainless steel waste receptacle. Heavy-duty, reusable, 12-gallon liner available as an accessory. Order separately using part number **P11-004**.

MODEL 237-35 Hinged Cover

MODEL 237-65 Push-Flap Door Unit

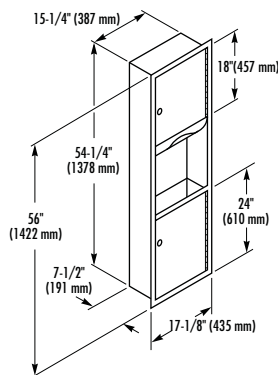
Rough wall opening 15 $\frac{3}{4}$ " W x 54 $\frac{1}{2}$ " H x 7 $\frac{1}{2}$ " D.

-10 Semi-Recessed

3 $\frac{1}{2}$ " in wall, projects 4" from wall.

-11 Surface-Mounted

Projects 7 $\frac{1}{2}$ " from wall.



MODEL 238

Constructed of architectural satin finish stainless steel. Dispenses 1,100 single-fold, 800 multi-fold or 600 C-fold towels. Waste receptacle has 8.2-gallon, removable, leak-proof, molded-plastic insert.

Rough wall opening 15 $\frac{3}{4}$ " W x 54 $\frac{3}{4}$ " H x 7 $\frac{1}{2}$ " D.

-10 Semi-Recessed

3 $\frac{1}{2}$ " in wall, projects 4" from wall.

-11 Surface-Mounted

Projects 7 $\frac{1}{2}$ " from wall.

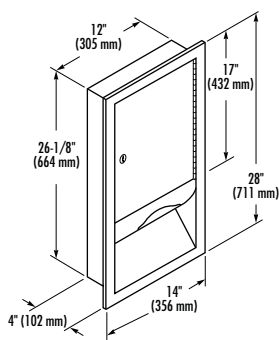


Distributed by
www.Ameraproducts.com

Phone: (800) 608-6568

Fax: (409) 840-5545

info@ameraproducts.com



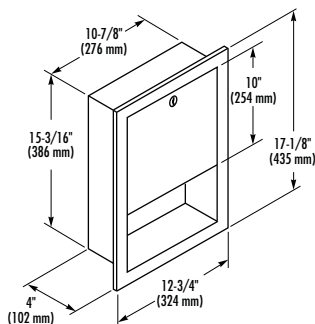
MODEL 244

Constructed of architectural satin finish stainless steel.
Dispenses 800 multi-fold or 600 C-fold towels.

Rough wall opening $12\frac{1}{2}''$ W x $26\frac{5}{8}''$ H x 4" D.

-10 **Semi-Recessed**
2" in wall, projects 2" from wall.

-11 **Surface-Mounted**
Projects 4" from wall.



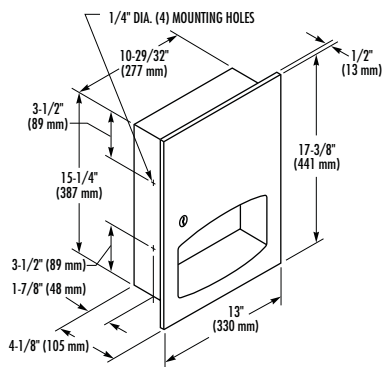
MODEL 2441 Bradex®

Constructed of architectural satin finish stainless steel.
Dispenses 475 multi-fold or 350 C-fold towels.

Rough wall opening $11\frac{3}{8}''$ W x $15\frac{1}{16}''$ H x 4" D.

-10 **Semi-Recessed**
2" in wall, projects 2" from wall.

-11 **Surface-Mounted**
Projects 4" from wall.



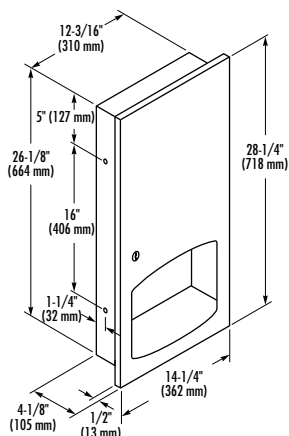
MODEL 2442 Bradex® CONTEMPORARY SERIES

Constructed of architectural satin finish stainless steel.
Dispenses 400 multi-fold or 300 C-fold towels.

Rough wall opening $11\frac{13}{32}''$ W x $15\frac{3}{4}''$ H x 4" D.

-10 **Semi-Recessed**
 $2\frac{1}{8}''$ in wall, projects 2" from wall.

-11 **Surface-Mounted**
Projects $4\frac{1}{8}''$ from wall.



MODEL 2447 CONTEMPORARY SERIES

Constructed of architectural satin finish stainless steel.
Dispenses 800 multi-fold or 500 C-fold towels.

Rough wall opening $12\frac{11}{16}''$ W x $26\frac{5}{8}''$ H x 4" D.

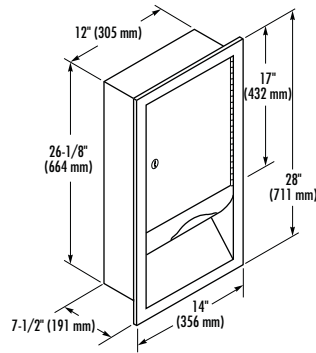
-10 **Semi-Recessed**
 $1\frac{5}{8}''$ in wall, projects $2\frac{1}{2}''$ from wall.

-11 **Surface-Mounted**
Projects $4\frac{1}{8}''$ from wall.



Distributed by
www.Ameraproducts.com
 Phone: (800) 608-6568
 Fax: (409) 840-5545
info@ameraproducts.com

TOWEL DISPENSERS 200 SERIES



MODEL 247

Constructed of architectural satin finish stainless steel. Dispenses single-fold, 800 multi-fold or 500 C-fold towels.

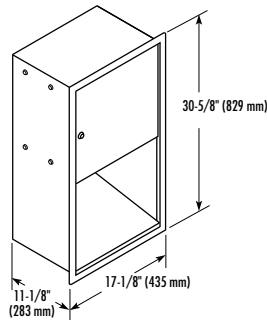
Rough wall opening 12½" W x 26⅝" H x 7½" D.

-10 Semi-Recessed

3½" in wall, projects 4" from wall.

-11 Surface-Mounted

Projects 7½" from wall.



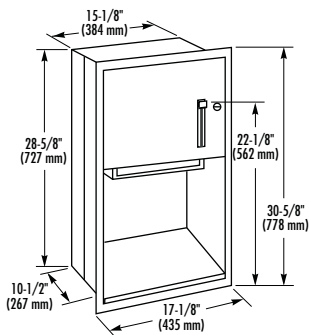
MODEL 2479

Constructed of architectural satin finish stainless steel. Dispenses one standard core center pull towel roll up to 9" x 9" diameter.

Rough wall opening 15⅜" W x 28¾" H x 11⅞" D.

-10 Semi-Recessed

3½" in wall, projects 8" from wall.



MODEL 2481

Constructed of architectural satin finish stainless steel. Towel dispenser capacity is one standard core 8" or 9" W x 800' L roll paper towel.

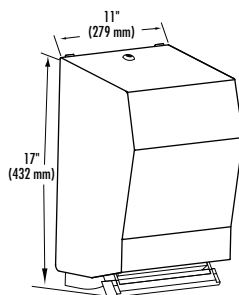
Rough wall opening 15½" W x 29½" H x 10½" D.

-10 Semi-Recessed

3½" in wall, projects 7" from wall.

-11 Surface-Mounted

Projects 10½" from wall.

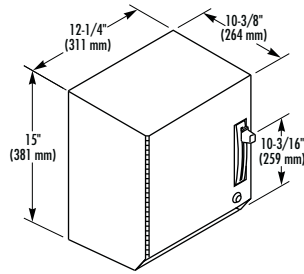


MODEL 2482-11

Constructed of architectural satin finish stainless steel. Surface-mounted, roll paper towel dispenser. Push-bar operated. Baked-enamel towel dispenser mechanism. Unit dispenses non-perforated roll towels up to 8" in diameter and 8" wide with core sizes from 1½" to 2."

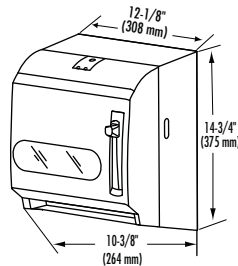
Unit measures 11" W x 17" H x 10½" D.

Distributed by
www.Ameraproducts.com
 Phone: (800) 608-6568
 Fax: (409) 840-5545
 info@ameraproducts.com



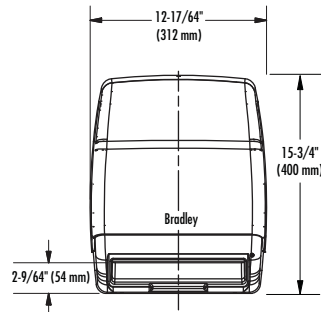
MODEL 2483 Bradex®

Constructed of architectural satin finish stainless steel. Surface-mounted, roll paper towel dispenser. Lever operated. Dispenses one standard core 8" or 9" wide x 800' long roll. Unit measures 12¼" W x 15" H x 10⅜" D.



MODEL 2492

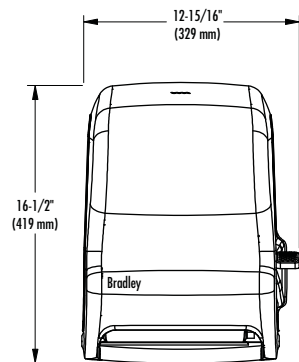
Surface-mounted, roll paper towel dispenser. Lever operated. Constructed of baked-enamel body with white, high-impact plastic door with clear refill window. Dispenses one standard core 8" or 9" wide x 800' long roll. Unit measures 12⅞" W x 14¾" H x 10⅜" D.



MODEL 2494 Bradex®

Constructed of high impact material. Door is translucent, and fabricated from durable high-impact plastic. Dispenses non-perforated roll towels up to 8" in diameter and 8" wide with core sizes from 1½"-2". Dispenser also allows for 3" diameter stub roll. Operates with 4 "D" size alkaline batteries. Batteries are not included. Automatic transfer system will integrate stub roll when the primary is nearly depleted. Low battery indicator. Sheet is fully protected until dispensed. The transfer system, roll holders and door are field replaceable. Complies with FCC regulation on EMC.

Unit measures 12⅜" W x 15¾" H x 9½" D.



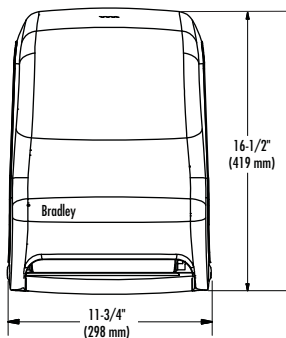
MODEL 2495

Constructed of high-impact plastic. Black translucent cover with speckled gray base. Black plastic handle is treated with Bio-Pruf® to inhibit bacteria growth. Dispenses one 8" wide paper towel roll and one 4" partial (stub) roll. 1½" core diameter. Lever-operated dispensing mechanism will provide an adjustable means to dispense a nominal 5", 4" or 2½" of toweling per lever stroke. Toweling will only be dispensed with the downward stroke of the lever.

Unit measures 12⅝" W x 16½" H x 9¼" D.

Distributed by
www.Ameraproducts.com
Phone: (800) 608-6568
Fax: (409) 840-5545
info@ameraproducts.com

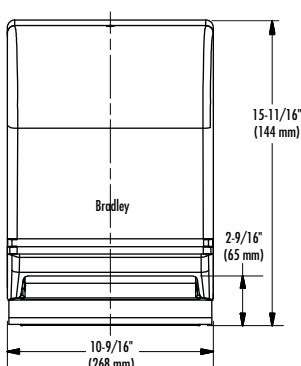
TOWEL DISPENSERS 200 SERIES



MODEL 2496

Constructed of high impact material. Door is translucent, and fabricated from durable high-impact plastic. Dispenses non-perforated roll towels up to 8½" in diameter and 8" wide with core sizes from 1½"-2". Dispenser also allows for 4" diameter stub roll. A 10" towel will be dispensed every time the sensor is activated. Operates with 4 "D" size alkaline batteries (not included). Automatic transfer system will integrate stub roll when the primary is nearly depleted. A flashing red indicator light indicates that batteries need to be replaced.

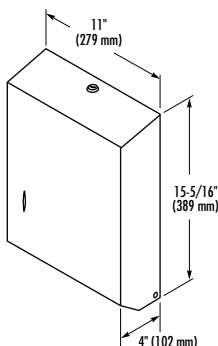
Unit measures 11¾" W x 16½" H x 9¼" D.



MODEL 2497

Constructed of high-impact plastic. Fiberglass-reinforced ABS plastic push lever. Dispenses non-perforated paper towels from 8" wide roll with core sizes from 1½"-2" diameter. Dispenser also allows for 4" diameter stub roll. The push lever dispensing mechanism delivers 5½" of toweling with each stroke.

Unit measures 10⅞" W x 15⅛" H x 8⅝" D.



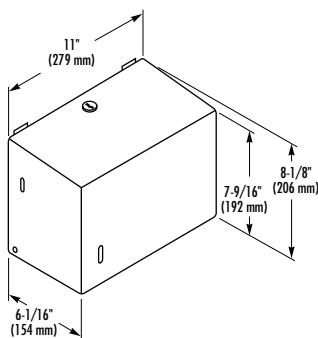
MODEL 250-15 Bradex®

Constructed of architectural satin finish stainless steel. Surface-mounted, paper towel dispenser. Dispenses 525 multi-fold or 400 C-fold towels. Tumbler lock and bottom hinged. Refill indicator on cabinet face.

Unit measures 11" W x 15⅝" H x 4" D.

-33 White Enamel Finish

-1578 Bright Polish Finish



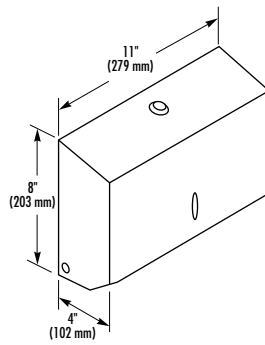
MODEL 251-15 Bradex®

Constructed of architectural satin finish stainless steel. Surface-mounted, paper towel dispenser. Dispenses 400 single-fold towels. Tumbler lock and bottom hinged. Refill indicator on cabinet face.

Unit measures 11" W x 8⅝" H x 6⅞" D.

-33 White Enamel Finish

Distributed by
www.Ameraproducts.com
 Phone: (800) 608-6568
 Fax: (409) 840-5545
 info@ameraproducts.com

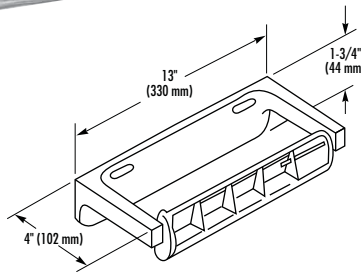
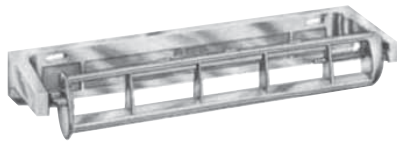


MODEL 252 Bradex®

Constructed of architectural satin finish stainless steel. Surface-mounted, paper towel dispenser. Dispenses 350 multi-fold or 200 C-fold towels. Cabinet secured with tumbler lock and hinges at bottom. Refill indicator on cabinet face.

Unit measures 11" W x 8" H x 4" D.

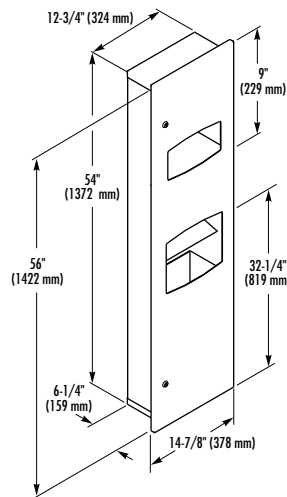
-78 Bright Polish Finish



MODEL 259

Surface-mounted, roll paper towel dispenser. Constructed of die-cast aluminum. Controlled delivery mechanism. Spring allows spindle to be released for filling. Holds one standard core roll paper towels to 6" diameter x 11" wide.

Unit measures 13" W x 1 3/4" H x 4" D.



MODEL 270

Convenient, space-saving 3-in-1 unit

3-in-1 towel dispenser, hand dryer and waste receptacle. Constructed of architectural satin finish stainless steel. Recessed towel dispenser holds 710 single-fold, 500 multi-fold or 370 C-fold paper towels. Waste receptacle has 4.37-gallon capacity. Hand dryer has sensor activation with universal voltage.

Rough wall opening 13" W x 54 1/4" H x 5 1/2" D.

Unit measures 14 7/8" W x 56" H x 6 1/4" D.

-10 Semi-Recessed

3 1/2" in wall, projects 2 3/4" from wall.

-11 Surface-Mounted

Projects 6 1/4" from wall.

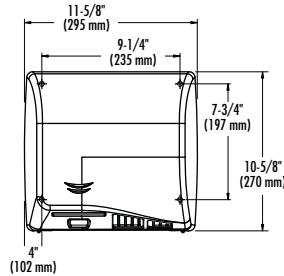
-49 For Export

CE certified.

Distributed by
www.Ameraproducts.com
 Phone: (800) 608-6568
 Fax: (409) 840-5545
 info@ameraproducts.com

AERIX HAND DRYERS

Bradley's Aerix® Hand Dryers save time, money and headaches. Renovation installation is made easy. Aerix 2902-28 Series offers *adjustable speed*: turn the speed up for fast drying. Turn down for quiet operation. The 2902-28 models also meet ADA requirements. There is an Aerix model to suit every application!



MODEL 2902-280000 *Bradex*® White

3/16" thick porcelain cast iron cover.

- Adjustable speed hand dryer
- "No-Touch" sensor operation
- 10-15 second drying time
- Universal voltage
- Vandal-resistant
- ADA compliant

Surface-Mounted

Mounting holes match those of most popular models.

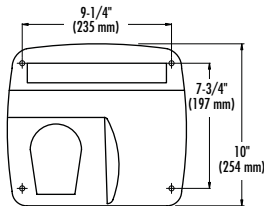
Overall dimensions 11 3/8" W x 10 3/8" H x 4" D.

MODEL 2902-287300

1/8" thick white enamel coated steel cover.

MODEL 2902-287400

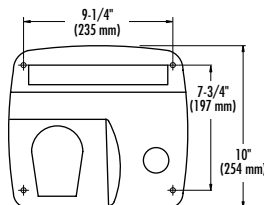
1/8" thick stainless steel cover with satin finish.



MODEL 2903-280000 *Bradex*® White

Infrared sensor activation. Cast iron cover. 29 second drying time. Surface-mounted: mounting holes match those of most popular models.

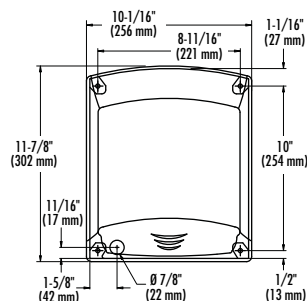
Overall dimensions 11 1/8" W x 10" H x 8 1/4" D.



MODEL 2904-280000 *Bradex*® White

Push button activation. Cast iron cover. 29 second drying time. Surface-mounted: mounting holes match those of most popular models.

Overall dimensions 11 1/8" W x 10" H x 8 1/4" D.



MODEL 2905-287300 *Bradex*® White

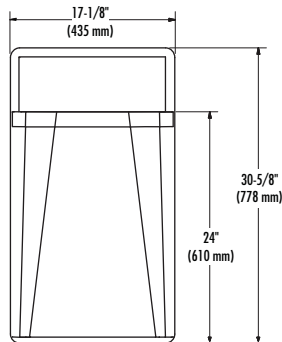
Modern design. "No-Touch" sensor activation. Steel cover. 38 second drying time. Ideal for medium-to-low traffic and medium-to-low vandal applications.

Overall dimensions 10 1/8" W x 11 7/8" H x 5 1/2" D.

Distributed by
www.Ameraproducts.com
 Phone: (800) 608-6568
 Fax: (409) 840-5545
 info@ameraproducts.com

WASTE RECEPTACLES 300 SERIES

Bradley Waste Receptacles provide convenience and durability. Units are fabricated of stainless steel with exposed surfaces in architectural satin finish. Recessed units feature one-piece, stainless steel flanges of welded construction with seamless corners, burr-free edges and 1/4" return to conceal wall irregularities.



MODEL 3A05 *Bradex*® NEW!

Designed with unique dual-curve geometry. Constructed of architectural satin finish stainless steel. 12-gallon, removable, stainless steel waste receptacle. Secured to cabinet with tumbler lock. Recess-mounted.

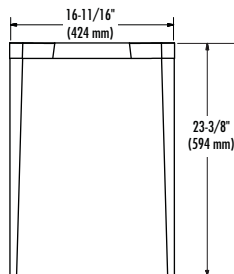
Rough wall opening 15³/₄" W x 29³/₁₆" H x 4" D.

-10 Semi-Recessed

2" in wall, projects 6¹/₁₆" from wall.

-11 Surface-Mounted

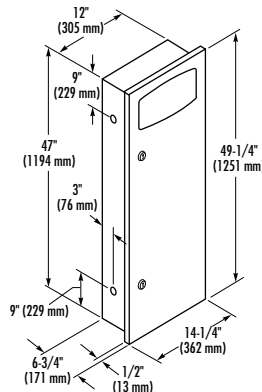
Projects 8¹/₁₆" from wall.



MODEL 3A15-11 *Bradex*® NEW!

Designed with unique dual-curve geometry. Constructed of architectural satin finish stainless steel. 16.5-gallon, stainless steel waste receptacle.

Unit measures 16¹/₁₆" W x 23³/₈" H x 11¹/₁₆" D.



MODEL 3157 CONTEMPORARY SERIES

Recessed unit with push-flap door and 9.2-gallon, removable, leak-proof, molded-plastic insert.

Rough wall opening 12¹/₂" W x 47¹/₂" H x 6¹/₂" D.

-10 Semi-Recessed

3" in wall, projects 3³/₄" from wall.

-11 Surface-Mounted

Projects 6³/₄" from wall.



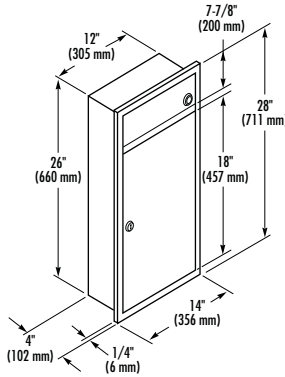
Distributed by
www.Ameraproducts.com

Phone: (800) 608-6568

Fax: (409) 840-5545

info@ameraproducts.com

Distributed by
www.AmeraProducts.com
 Phone: (800) 608-6568
 Fax: (409) 840-5545
 info@ameraproducts.com

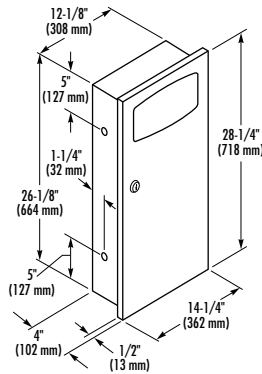


MODEL 3251

Recessed unit with 2.8-gallon, removable, leak-proof, molded-plastic, waste receptacle insert. Tumbler lock. Push-flap door with full-length piano hinge covers receptacle opening.

Rough wall opening 12½" W x 26½" H x 4" D.

- 10 **Semi-Recessed**
2" in wall, projects 2" from wall.
- 11 **Surface-Mounted**
Projects 4" from wall.

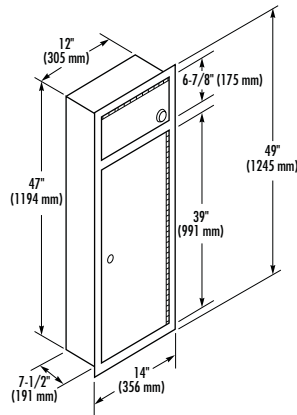


MODEL 3257 CONTEMPORARY SERIES

Recessed unit with push-flap door and 2.8-gallon, removable, leak-proof, molded-plastic insert.

Rough wall opening 12½" W x 26½" H x 4" D.

- 10 **Semi-Recessed**
2" in wall, projects 2" from wall.
- 11 **Surface-Mounted**
Projects 4" from wall.

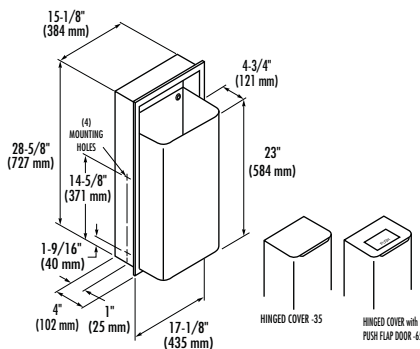


MODEL 315-35

Recessed unit with full-length piano hinge and tumbler lock keyed alike to companion Bradley units. 9.2-gallon, removable, leak-proof, molded-plastic insert. Push-flap door with full-length piano hinge covers receptacle opening.

Rough wall opening 12½" W x 47½" H x 7½" D.

- 10 **Semi-Recessed**
3½" in wall, projects 4" from wall.
- 11 **Surface-Mounted**
Projects 7½" from wall.



RECESSED

MODEL 344 Bradex®

12-gallon, removable, stainless steel waste receptacle. Secured to cabinet with tumbler lock. Heavy-duty, reusable, 12-gallon liner available as an accessory. Order separately using part number **P11-004**.

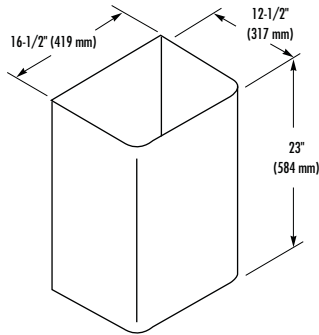
MODEL 344-35 Hinged Cover Unit

MODEL 344-65 Push-Flap Door Unit

Rough wall opening 15¾" W x 29¾" H x 4" D. Receptacle projects 4¾."

- 10 **Semi-Recessed**
2" in wall, projects 6¾" from wall.
- 11 **Surface-Mounted**
Projects 8¾" from wall.





HINGED COVER-35

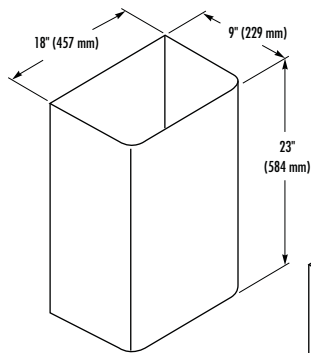
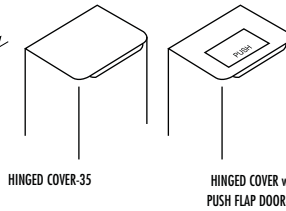
SURFACE-MOUNTED

MODEL 355

20.6-gallon, stainless steel waste receptacle. Heavy-duty, reusable, 20.6-gallon liner available as an accessory. Order separately using part number **P11-005**.

MODEL 355-35 Hinged Cover Unit

Unit measures 16½" W x 23" H x 12½" D.



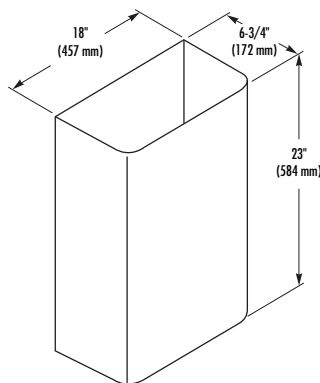
HINGED COVER

MODEL 356

16.5-gallon, stainless steel waste receptacle. Heavy-duty, reusable, 16.5-gallon liner available as an accessory. Order separately using part number **P11-006**.

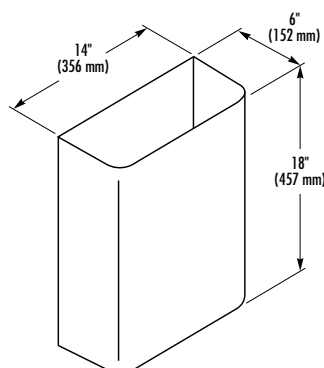
MODEL 356-35 Hinged Cover Unit

Unit measures 18" W x 23" H x 9" D.



MODEL 3565

12-gallon, stainless steel waste receptacle.



MODEL 357 Bradex®

6.5-gallon, stainless steel waste receptacle. Heavy-duty, reusable, 6.5-gallon liner available as an accessory. Order separately using part number **P11-007**.

MODEL 357-35 Hinged Cover Unit

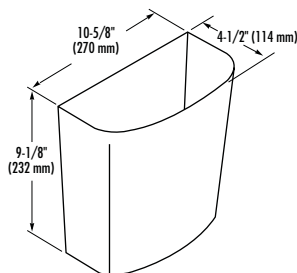
Unit measures 14" W x 18" H x 6" D.



Distributed by
www.Ameraproducts.com
 Phone: (800) 608-6568
 Fax: (409) 840-5545
info@ameraproducts.com

WASTE RECEPTACLES 300 SERIES

Distributed by
www.AmeraProducts.com
 Phone: (800) 608-6568
 Fax: (409) 840-5545
 info@ameraproducts.com



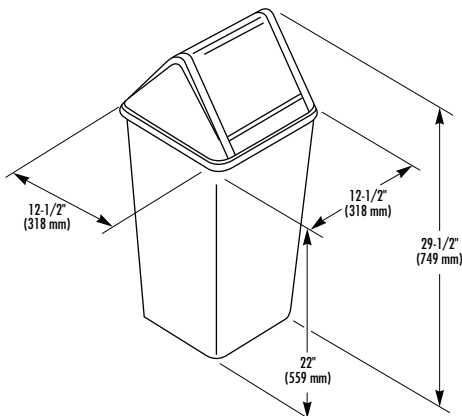
MODEL 359

1.5-gallon, stainless steel waste receptacle. Utilizes disposable, wet-strength paper liner.

Unit measures 10⁵/₈" W x 9¹/₈" H x 4¹/₂" D.



FREESTANDING



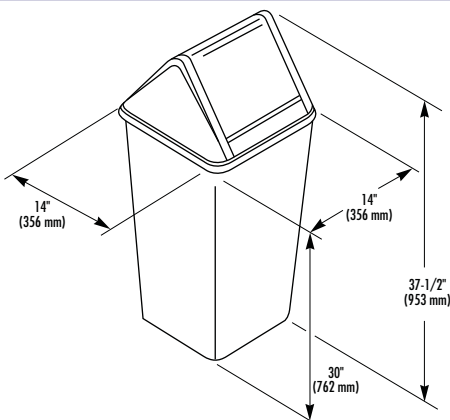
MODEL 377

Freestanding, 13-gallon, stainless steel waste receptacle. Removable swing top.

MODEL 377-37 Less Swing Top

Unit measures 29¹/₂" H x 12¹/₂" SQ.

MODEL P15-025 Cover Only



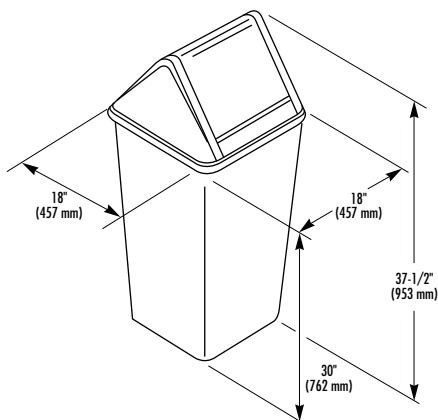
MODEL 377-36

Freestanding, 21-gallon, stainless steel waste receptacle. Removable swing top.

MODEL 377-3637 Less Swing Top

Unit measures 37¹/₂" H x 14" SQ.

MODEL P15-098 Cover Only



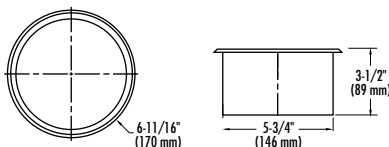
MODEL 377-38

Freestanding, 36-gallon, stainless steel waste receptacle. Removable swing top.

MODEL 377-3738 Less Swing Top

Unit measures 37¹/₂" H x 18" SQ.

MODEL P15-195 Cover Only



MODEL P10-696 Bradex®

Unit fabricated of stainless steel of drawn seamless construction and bright polished finish.

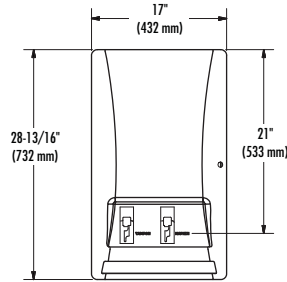
Countertop rough-in 6" diameter hole.

Overall dimensions 6³/₄" diameter x 3¹/₂" D.

VENDORS 400 SERIES NAPKIN/TAMPON/CONDOM

All Bradley dispensers combine smooth, contemporary styling with durable, vandal-resistant construction. Doors feature full-length piano hinges and tumbler locks for added security and maintenance ease. Configurations range from semi-recessed and recessed to surface-mounted and partition-mounted models.

RECESSED AND SEMI-RECESSED



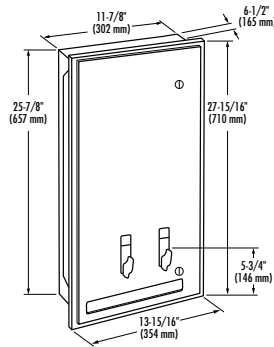
MODEL 4A20 NEW!

Designed with unique dual-curve geometry. Constructed of architectural satin finish stainless steel. Recess-mounted napkin/tampon vendor. Dispenses 18 napkins and 28 tampons. Specify coin choice (Free, 10¢, 25¢, 50¢, \$1.00 and Euro).

Rough wall opening 16 $\frac{1}{8}$ " W x 27 $\frac{7}{8}$ " H x 4" D.

-11 Surface-Mounted
Projects 5 $\frac{3}{4}$ " from wall.

-45 25¢ Coin Operation **Bradex**[®]



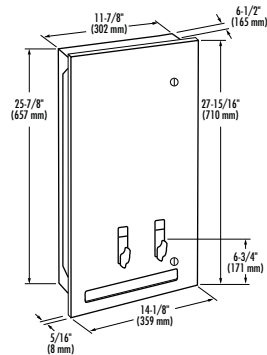
MODEL 401

Recessed napkin/tampon vendor. Dispenses 30 napkins and 28 tampons. Slip-type flange permits full or partial recess installation or can be discarded for surface mounting. Coin mechanism may be replaced in the field without removing cabinet from wall. Specify coin choice (Free, 10¢, 25¢, 50¢, \$1.00).

Rough wall opening 12 $\frac{1}{2}$ " W x 26 $\frac{3}{8}$ " H x 6" D.

-11 Surface-Mounted
Projects 6 $\frac{1}{2}$ " from wall.

-45 25¢ Coin Operation **Bradex**[®]



MODEL 4017

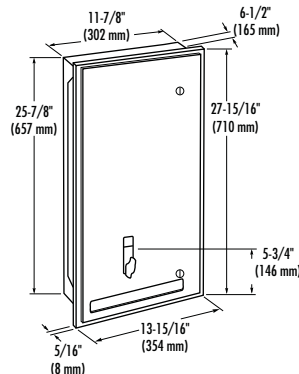
CONTEMPORARY SERIES

Recessed napkin/tampon vendor. Dispenses 30 napkins and 28 tampons. Full-length piano hinge and two tumbler locks. Coin mechanism may be replaced in the field without removing cabinet from wall. Specify coin choice (Free, 10¢, 25¢, 50¢, \$1.00).

Rough wall opening 12 $\frac{1}{2}$ " W x 26 $\frac{3}{8}$ " H x 6 $\frac{1}{2}$ " D.

-10 Semi-Recessed
4" in wall, projects 2" from wall.

-11 Surface-Mounted
Projects 6 $\frac{3}{4}$ " from wall.

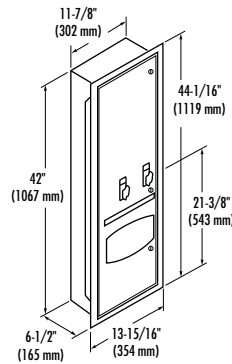


MODEL 402

Recessed napkin vendor. Dispenses 30 napkins. Slip-type flange permits full or partial recess installation or can be discarded for surface mounting. Coin mechanism may be replaced in the field without removing cabinet from wall. Specify coin choice (Free, 10¢, 25¢, 50¢, \$1.00).

Rough wall opening 12 $\frac{1}{2}$ " W x 26 $\frac{3}{8}$ " H x 6" D.

Distributed by
www.Ameraproducts.com
Phone: (800) 608-6568
Fax: (409) 840-5545
info@ameraproducts.com

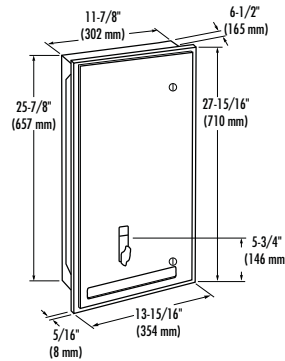


MODEL 403

Recessed napkin/tampon vendor and disposal. Dispenses 30 napkins and 28 tampons. Removable leak-proof molded plastic waste receptacle with push-flap door. Slip-type flange permits full or partial recess installation or can be discarded for surface mounting. Coin mechanism may be replaced in the field without removing cabinet from wall. Specify coin choice (Free, 10¢, 25¢, 50¢, \$1.00).

Rough wall opening 12½" W x 42¾" H x 6" D.

-45 25¢ Coin Operation

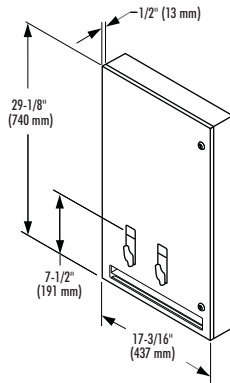


MODEL 404

Recessed or semi-recessed condom vendor fabricated of stainless steel with exposed surfaces in architectural satin finish. Slip-type flange permits full or partial recess installation. Coin mechanism may be replaced in the field without removing cabinet from wall. Dispenses 120 condoms. 2¼" x 2¼" x ¼". Specify coin choice (Free, 10¢, 25¢, 50¢, \$1.00).

Rough wall opening 12½" W x 26¾" H x 6" D.

-11 Surface-Mounted
Projects 6½" from wall.



MODEL 407

CONTEMPORARY SERIES

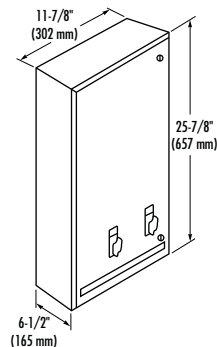
Recessed napkin/tampon vendor. Dispenses 18 napkins and 28 tampons. Shallow design permits unit to be fully recessed in a standard 4" deep wall. Coin mechanism may be replaced in the field without removing cabinet from wall. Specify coin choice (Free, 10¢, 25¢, 50¢, \$1.00).

Rough wall opening 16½" W x 27¾" H x 4" D.

-11 Surface-Mounted
Projects 4¾" from wall.

-45 25¢ Coin Operation **Bradex**

-1145 Surface-Mounted with 25¢ Coin Operation **Bradex**



SURFACE-MOUNTED

MODEL 426

CONTEMPORARY SERIES

Surface-mounted napkin/tampon vendor. Dispenses 30 napkins and 28 tampons. Coin mechanism may be replaced in the field without removing cabinet from wall. Specify coin choice (Free, 10¢, 25¢, 50¢, \$1.00).

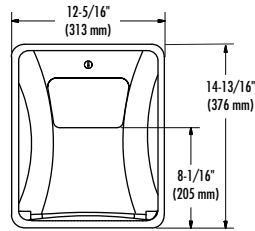
Unit measures 11⅞" W x 25⅞" H x 6½" D.

Mount 68" to 74" from finished floor.

-45 25¢ Coin Operation **Bradex**

Distributed by
www.Ameraproducts.com
 Phone: (800) 608-6568
 Fax: (409) 840-5545
info@ameraproducts.com

DISPOSAL UNITS 400 SERIES



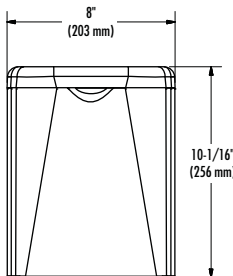
MODEL 4A00 Bradex® NEW!

Designed with unique dual-curve geometry. Constructed of architectural satin finish stainless steel. 1.5-gallon, recess-mounted napkin disposal with push-flap door. Removable plastic disposal.

Rough wall opening 11¼" W x 13¾" H x 4" D.

-10 Semi-Recessed

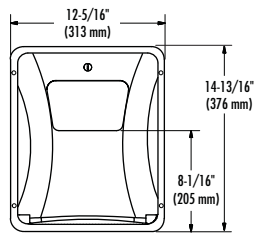
2" in wall, projects ¾" from wall.



MODEL 4A10-11 Bradex® NEW!

Designed with unique dual-curve geometry. Constructed of architectural satin finish stainless steel. 1.5-gallon, surface-mounted napkin disposal with hinged cover. Accepts all after-market industry liners.

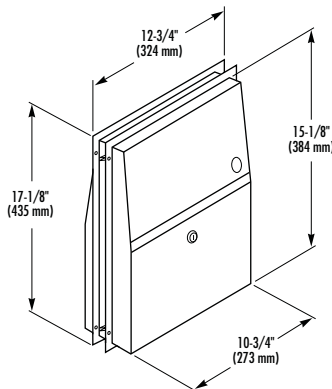
Unit measures 8" W x 10⅙" H x ¾" D.



MODEL 4A11 NEW!

Designed with unique dual-curve geometry. Constructed of architectural satin finish stainless steel. Mounts in partition to serve two compartments. 1.5-gallon napkin disposal with self-closing push-flap door. Removable plastic disposal.

Rough wall opening 11¼" W x 13¾" H.

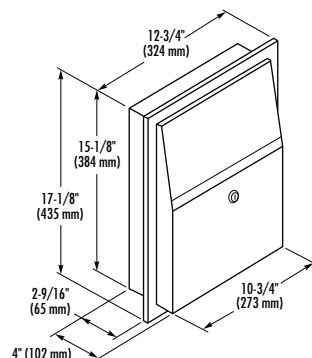


MODEL 4721-15 Bradex®

Mounts in partition to serve two compartments. Two push-flap doors and stainless steel waste receptacle removable from one side. Flange adjusts for partitions from ½" to 1¼" thick. Uses disposable, wet-strength paper liner. 1.5 gallon capacity.

Partition opening 11" W x 15⅜" H.

Note: If used with an odd number of compartments, use one **Model 4722-15** in side wall of end compartment.



MODEL 4722-1015

Semi-recessed napkin disposal unit with push-flap door and removable, stainless steel receptacle. Uses disposable, wet-strength paper liner.

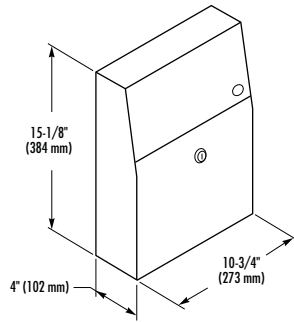
Rough wall opening 11" W x 15⅜" H x 2½" D.

Unit projects 1⅞" from finished wall.



Distributed by
www.Ameraproducts.com
 Phone: (800) 608-6568
 Fax: (409) 840-5545
info@ameraproducts.com

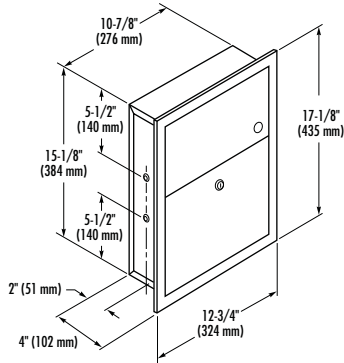
DISPOSAL UNITS 400 SERIES



MODEL 4722-15 Bradex®

Surface-mounted napkin disposal unit with push-flap door and removable, stainless steel receptacle. Uses disposable, wet-strength paper liner.

Measures 10³/₄" W x 15¹/₈" H x 4" D.

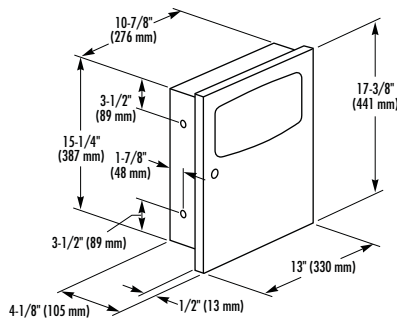


MODEL 4731-15 Bradex®

Recess-mounted napkin disposal unit with push-flap door and removable, stainless steel receptacle. Uses disposable, wet-strength paper liner. May also be used as a small-capacity waste receptacle.

Rough wall opening 11³/₈" W x 15³/₈" H x 4" D.

Unit projects 1⁷/₁₆" from finished wall.



MODEL 4737 CONTEMPORARY SERIES

Recess-mounted napkin disposal with push-flap door. Removable, leak-proof, molded-plastic insert.

Rough wall opening 11³/₈" W x 15³/₄" H x 4" D.

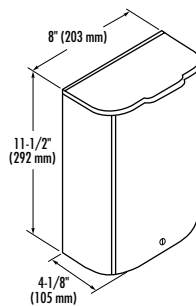
-10 Semi-Recessed

2¹/₈" in wall, projects 2" from wall.

-11 Surface-Mounted

Projects 4¹/₈" from wall.

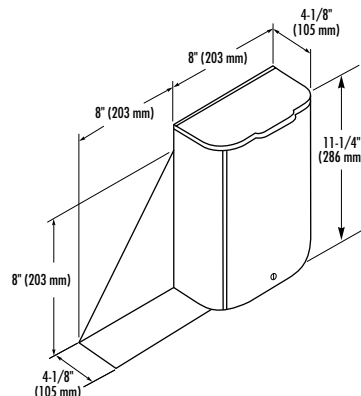
Note: Only recessed and semi-recessed.



MODEL 4781-15 Bradex®

Surface-mounted napkin disposal unit has hinged cover and bottom with lock. Uses disposable, wet-strength paper liner.

Unit measures 8" W x 11¹/₂" H x 4¹/₈" D.



MODEL 4791-15

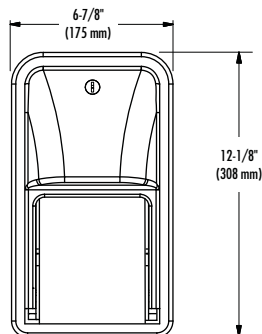
Surface-mounted napkin disposal with integral shelf has hinged cover and bottom with tumbler lock. Shelf welded to waste receptacle. Uses disposable, wet-strength paper liner.

Unit measures 16" W x 11¹/₄" H x 4¹/₈" D.

Distributed by
www.Ameraproducts.com
 Phone: (800) 608-6568
 Fax: (409) 840-5545
 info@ameraproducts.com

TOILET TISSUE HOLDERS 500 SERIES

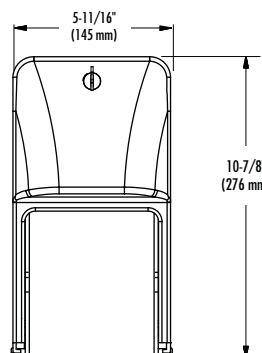
Bradley Toilet Tissue Holders and Seat Cover Dispensers provide a complete selection of surface-mounted, recessed and partition-mounted units. Toilet Tissue Holders are available in single and multi-roll models, some with integral shelves.



MODEL 5A00 *Bradex*® NEW!

Designed with unique dual-curve geometry. Constructed of architectural satin finish stainless steel. Recess-mounted, non-controlled delivery toilet tissue holder. Cabinet holds two rolls up to 1½" W x 5¼" diameter standard core toilet tissue. Molded polyethylene spindles.

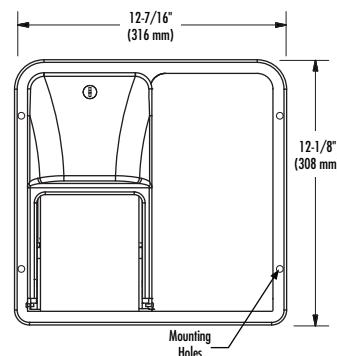
Rough wall opening 6" W x 11⅛" H x 4"D.



MODEL 5A10 *Bradex*® NEW!

Designed with unique dual-curve geometry. Constructed of architectural satin finish stainless steel. Surface-mounted, non-controlled delivery toilet tissue holder. Cabinet holds two rolls up to 4½" W x 5¼" diameter standard core toilet tissue. Molded polyethylene spindles.

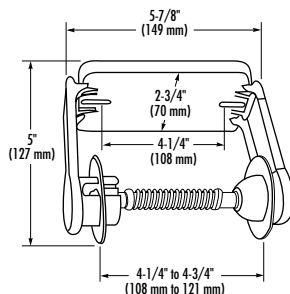
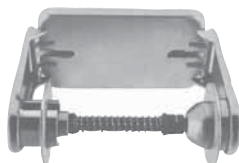
Unit measures 5⅞" W x 10⅞" H x 6⅜" D.



MODEL 5A20 NEW!

Designed with unique dual-curve geometry. Constructed of architectural satin finish stainless steel. Partition-mounted, non-controlled delivery toilet tissue holder. Double-sided unit includes single-roll dispenser with roll-in-reserve serving each compartment. Each cabinet holds two rolls up to 4½" W x 5¼" diameter standard core toilet tissue. Molded polyethylene spindles.

Rough wall opening 11⅛" H x 11½" W.



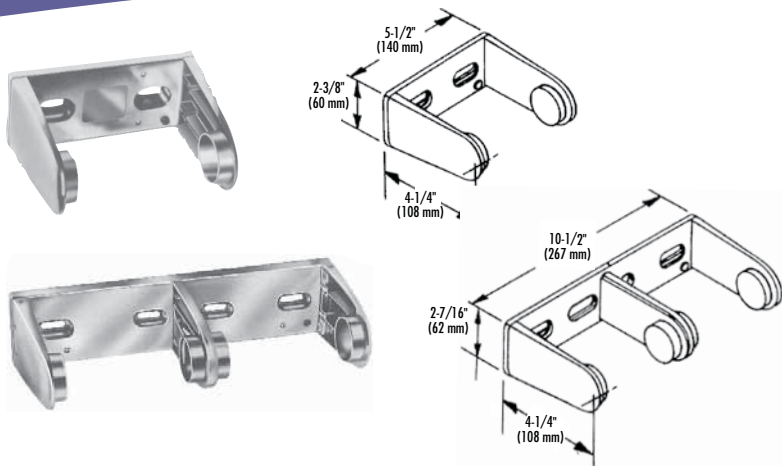
SURFACE-MOUNTED

MODEL 5061

Controlled delivery with vandal-resistant locking device and constant roll tension. Exclusive adjusting mechanism accommodates rolls from 4¼" W to 4¾" W. Holds one standard core roll through 6" in diameter.

Unit measures 5⅞" W x 2¾" H x 5" D.

Distributed by
www.AmeraProducts.com
 Phone: (800) 608-6568
 Fax: (409) 840-5545
info@ameraproducts.com



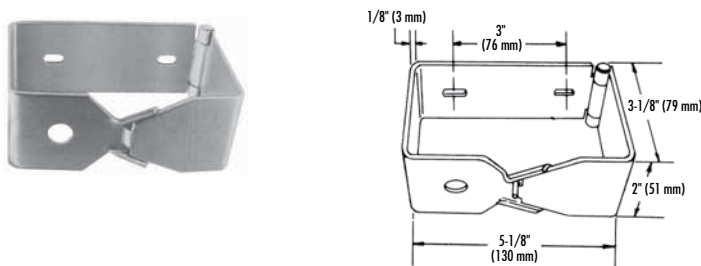
MODEL 505 Single Roll *Bradex*

MODEL 522 Double Roll *Bradex*

Controlled delivery. Chrome-plated, die-cast zinc. Unit features hinged arm with spring catch for filling and tension spring on fixed arm. Holds one (two) standard core roll(s) through 5" in diameter and 4½" wide.

Single roll unit measures 5½" W x 2¾" H x 4¼" D.

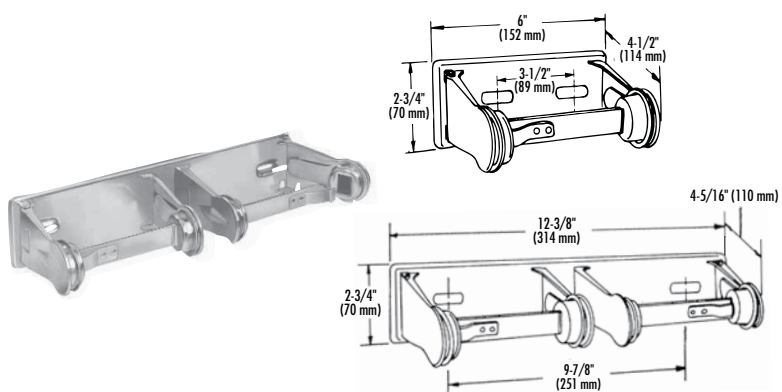
Double roll unit measures 10½" W x 2¾" H x 4¼" D.



MODEL 5053 Single Roll

Controlled delivery. Epoxy-coated aluminum. One-piece construction with hinged arm and snap lock, which is concealed by tissue roll. No removable parts.

Unit measures 5½" W x 2" H x 3⅜" D.



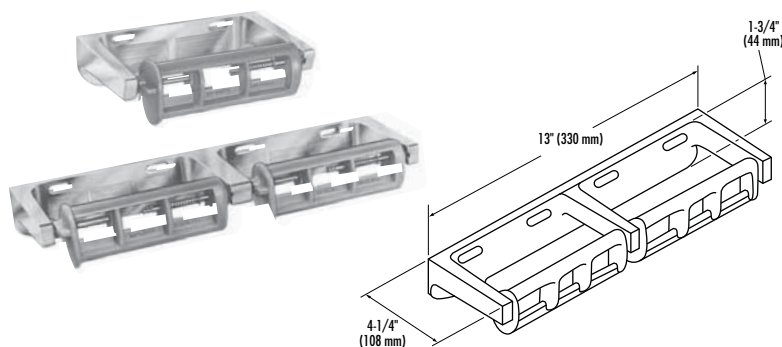
MODEL 5054 Single Roll *Bradex*

MODEL 5224 Double Roll *Bradex*

Controlled delivery. Heavy-duty, chrome-plated steel. Vandal-resistant locking mechanism. Hinged arm for filling. Tension spring prevents free spinning of roll. Holds one (two) standard core roll(s) through 6" in diameter.

Single roll unit measures 6" W x 2¾" H x 4½" D.

Double roll unit measures 12¾" W x 2¾" H x 4⅝" D.



MODEL 5071 Single Roll

MODEL 5241 Double Roll *Bradex*

Controlled delivery. Die-cast aluminum with gray polystyrene spindle. Rotates ½ revolution for each dispensing operation and returns to original position. Spring allows spindle to be released for filling. Holds one (two) standard core roll(s) through 5½" in diameter.

Single roll unit measures 6½" W x 1¾" H x 4" D.

Double roll unit measures 13" W x 1¾" H x 4¼" D.

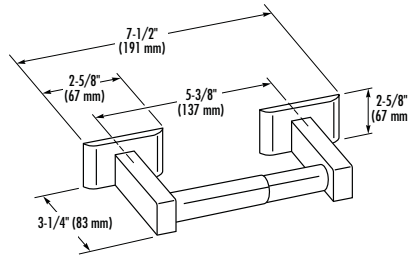
-50 Non-controlled Delivery



THEFT-RESISTANT SPINDLE (-52)

Available as an option for Bradley surface-mounted and recessed toilet tissue holders.

Option 52 can be ordered as a replacement part: #S01-459.

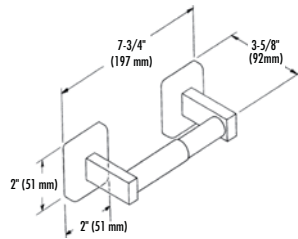


MODEL 508*

Non-controlled delivery. Chrome-plated, cast brass with chrome-plated plastic spindle.

Unit measures 7½" W x 2⅝" H x 3¼" D.

* Theft-resistant spindle available (-52).



MODEL 5084 Single Roll* Bradex®

MODEL 5234 Double Roll* Bradex®

Non-controlled delivery. Constructed of satin-finish stainless steel. Unit has individually mounted arms and free-turning roller that telescopes for filling. Holds standard core rolls through 5½" in diameter.

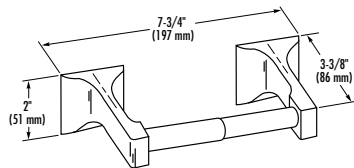
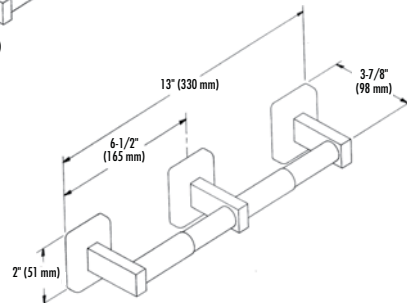
Single roll unit measures 7¾" W x 2" H x 3⅝" D.

Double roll unit measures 13" W x 2" H x 3⅞" D.

MODEL 5085 Unit with Bright Polish Finish Single Roll* Bradex®

MODEL 5235 Unit with Bright Polish Finish Double Roll* Bradex®

* Theft-resistant spindle available (-52).



MODEL 508-32 Single Roll* Bradex®

MODEL 523 Double Roll*

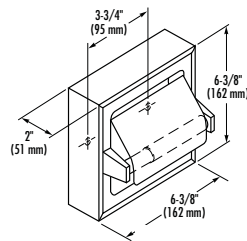
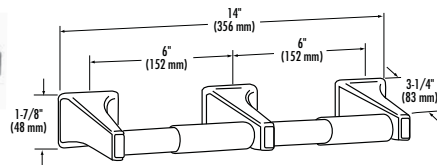
Non-controlled delivery. Highly polished, chrome-finish Zamac brackets with plated-steel mounting bracket and chrome-plated plastic spindle.

Single roll unit measures 7¾" W x 2" H x 3⅝" D.

Double roll unit measures 14" W x 1⅞" H x 3¼" D.

* Plastic Roller (-51) 508-32 only.

* Theft-resistant spindle available (-52).



MODEL 5106 Single Roll* Bradex®

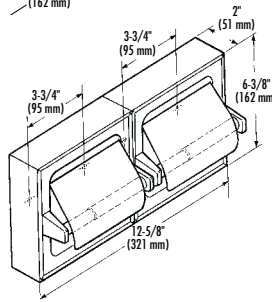
MODEL 5126 Double Roll* Bradex®

Surface-mounted, non-controlled delivery with hinged hood. Fabricated of bright polished stainless steel and chrome-plated plastic spindle. Free-turning rollers. Holds standard core rolls through 5½" in diameter.

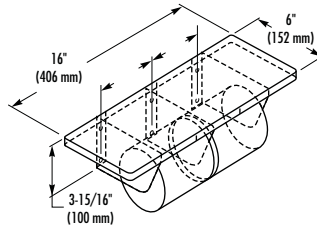
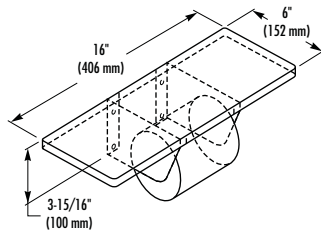
Single roll unit measures 6⅝" W x 6⅞" H x 2" D.

Double roll unit measures 12⅝" W x 6⅞" H x 2" D.

* Theft-resistant spindle available (-52).



TOILET TISSUE HOLDERS 500 SERIES



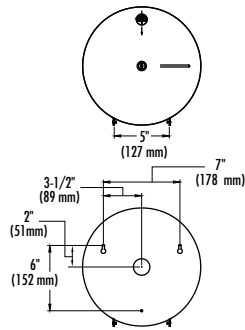
MODEL 5262 Single Roll

MODEL 5263 Double Roll *Bradex*[®]

Toilet tissue dispenser with shelf. Non-controlled delivery. Fabricated of satin-finish stainless steel. Spindle(s) of ABS plastic with concealed spring. Standard core 6" diameter toilet tissue roll(s).

Single roll unit measures 16" W x 3¹⁵/₁₆" H x 6" D.

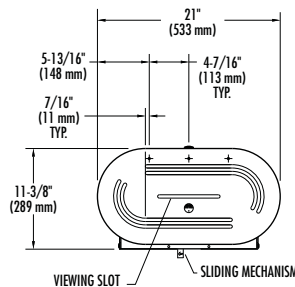
Double roll unit measures 16" W x 3¹⁵/₁₆" H x 6" D.



MODEL 5424 *Bradex*[®]

Surface-mounted, jumbo-roll, toilet tissue holder. Satin-finish stainless steel. Door swings down to replenish tissue roll and is secured with tumbler lock. Holds one roll (up to 10" diameter) of 1¹/₂" or 2¹/₈" diameter core toilet tissue minimum. Refill indicator slot reveals tissue level.

Unit measures 10¹³/₁₆" W x 10¹³/₁₆" H x 4³/₄" D.



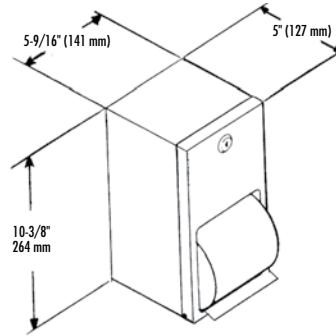
MODEL 5425 *Bradex*[®]

Surface-mounted, dual-jumbo-roll, toilet tissue holder. Satin-finish stainless steel. Bottom hinged front panel is secured with tumbler lock. Holds two standard 9" rolls. Core adapters accept 2¹/₄" or 3" diameter core tissue minimum. Inside mechanism of durable ABS has sliding bottom access panel to allow dispensing from one roll at a time. Non-controlled delivery.

Unit measures 21" W x 11³/₈" H x 6¹/₂" D.



Distributed by
www.Ameraproducts.com
Phone: (800) 608-6568
Fax: (409) 840-5545
info@ameraproducts.com



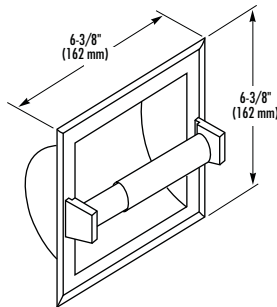
MODEL 5402 Bradex®

Surface-mounted, dual-roll, toilet tissue holder. Satin-finish stainless steel. Vandal-resistant, polyethylene spindles. Bottom hinged front panel is secured with tumbler lock. Holds two standard rolls up to 4¾" in diameter, 4½" W. Non-controlled delivery.

Unit measures 5⅞" W x 10⅜" H x 5" D.



RECESS-MOUNTED



MODEL 5104 Satin Finish* (shown)

Recess-mounted toilet tissue holder with non-controlled delivery. Recessed housing and projecting parts of satin finish stainless steel. Free-turning, chrome-plated plastic roller telescopes for filling. Holds one standard core roll up to 5" in diameter.

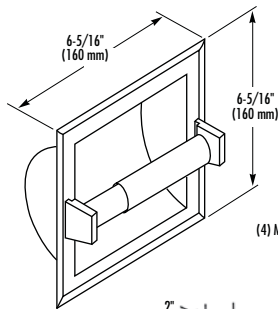
MODEL 5102 Unit Housing and Projecting Parts of Bright Polished Stainless Steel*

Rough wall opening 5¼" W x 5¼" H x 2" D.

MODEL 510 Chrome-Plated Brass Unit*

Rough wall opening 5¼" W x 5¼" H x 2" D.

* Theft-resistant spindle available (-52).



MODEL 5103 Single Roll*

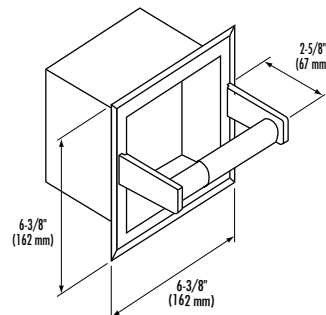
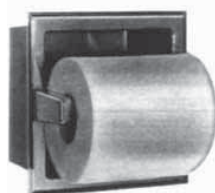
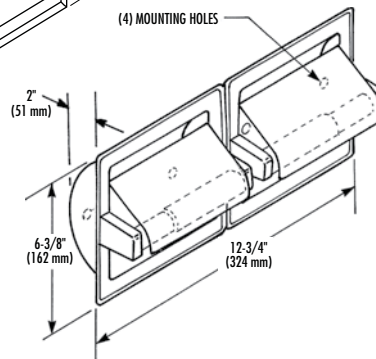
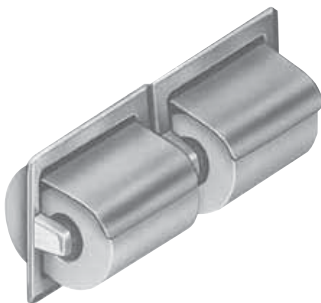
MODEL 5123 Double Roll*

Recess-mounted toilet tissue holder with hinged hood and non-controlled delivery. Housing brackets and hood fabricated of bright polished stainless steel. Chrome-plated plastic spindle. Holds one (two) standard core roll(s) through 5½" in diameter.

Single roll rough wall opening 5" W x 4⅞" H x 1⅞" D.

Double roll rough wall opening 11¾" W x 5¼" H x 2" D.

* Theft-resistant spindle available (-52).



MODEL 5105*

Recess-mounted toilet tissue holder with non-controlled delivery. Housing fabricated of bright polished stainless steel. Posts are fabricated of chrome-plated zinc. Spindle fabricated of chrome-plated plastic. Holds one standard core toilet tissue roll through 5" in diameter, plus one spare roll behind spindled roll.

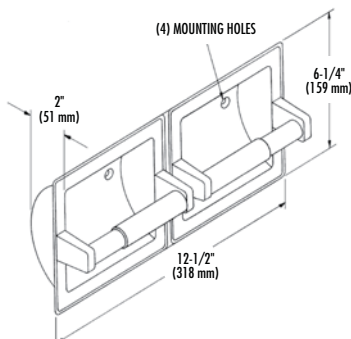
Rough wall opening 5¼" W x 5¼" H x 4" D.

* Theft-resistant spindle available (-52).



TOILET TISSUE HOLDERS 500 SERIES

Distributed by
www.AmeraProducts.com
 Phone: (800) 608-6568
 Fax: (409) 840-5545
info@ameraproducts.com



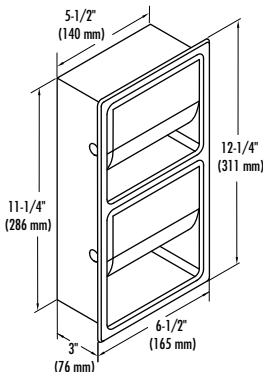
MODEL 5124*

Recess-mounted, dual-roll, toilet tissue holder with non-controlled delivery. Satin-finish stainless steel. Chrome-plated, zinc die-cast projecting parts. Free-turning, chrome-plated plastic rollers. Holds two standard core rolls through 5" in diameter.

MODEL 5125 Unit with Bright Polish Finish*

Rough wall opening 11³/₄" W x 5¹/₄" H x 2" D.

* Theft-resistant spindle available (-52).

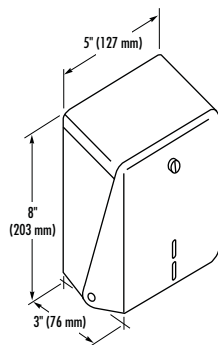


MODEL 5127 Bradex®

Recess-mounted, dual roll, non-controlled delivery with hinged hood toilet tissue holder. Fabricated of bright polished stainless steel and chrome-plated plastic spindle. Free-turning rollers. Holds standard core through 5¹/₂" diameter.

Unit measures 6¹/₂" W x 12¹/₄" H x 3" D.

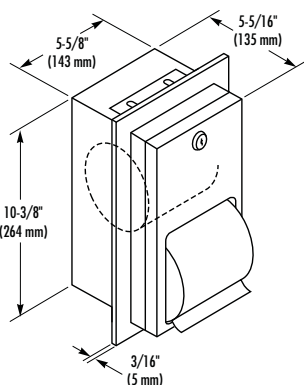
Rough wall opening 6" W x 11³/₄" H x 3¹/₄" D.



MODEL 515

Dispenses sheet tissue. Satin-finish stainless steel. Front panel hinged at bottom. Vandal-resistant lock.

Unit measures 5" W x 8" H x 3" D.

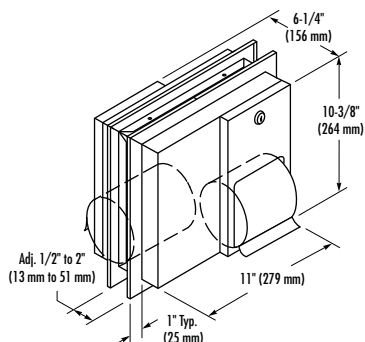


MODEL 5412 Bradex®

Recess-mounted, dual-roll, toilet tissue holder. Satin-finish stainless steel. Vandal-resistant polyethylene spindles. Bottom hinged front panel is secured with tumbler lock. Holds two standard rolls up to 4³/₄" in diameter, 4¹/₂" W. Non-controlled delivery.

Unit measures 7⁵/₈" W x 12³/₈" H x 5⁵/₁₆" D.

Rough wall opening 5³/₄" W x 10¹/₂" H x 4" D.



MODEL 5422 Bradex®

Partition-mounted, dual-roll, toilet tissue holder. Serves two adjoining compartments. Satin-finish stainless steel. Vandal-resistant polyethylene spindles. Bottom hinged front panel is secured with tumbler lock. Holds two standard rolls up to 4³/₄" in diameter, 4¹/₂" W. Non-controlled delivery.

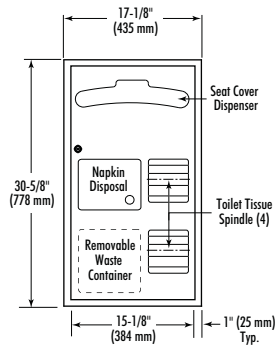
Unit measures 13" W x 12³/₈" H x 5²³/₃₂" D.

Partition opening 11⁵/₈" W x 10⁵/₈" H.



COMBINATION UNITS

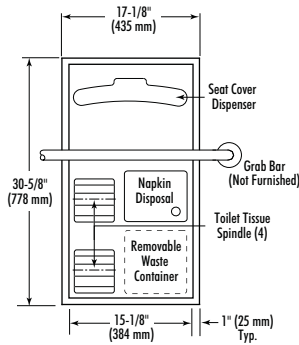
Bradley Seat Cover Dispenser/Combination units are fabricated of 18-gauge stainless steel and are secured with full-length piano hinges and tumbler locks for the ultimate blend of style and vandal resistance. When doors are locked, contents and interior areas are hidden and protected. Partition-mounted units serve two compartments at the same time.



MODEL 591 *Bradex*®

Partition-mounted combination unit serves two compartments. Dispenses 1,000 standard single or half-fold paper toilet seat covers. Holds four standard core rolls through 5¼" in diameter. Waste receptacle capacity .88 gallons. Non-controlled delivery.

Partition opening 15½" W x 28⅞" H.

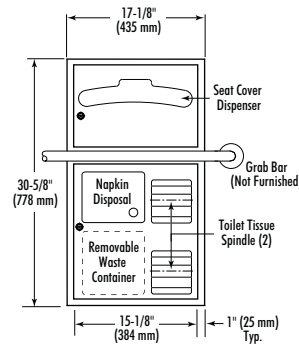


MODEL 5911

Partition-mounted combination unit serves two compartments. Mounts with one side flush against partition allowing clearance for grab bar in barrier-free compartment. Waste receptacle capacity .88 gallons. Holds four standard core rolls through 5¼" in diameter. Non-controlled delivery. Servicing of unit accomplished from non-barrier-free compartment.

Partition opening 15½" W x 28⅞" H.

-69 Reverse Door Option



MODEL 5912 *Bradex*®

Recess-mounted combination unit. Dispenses 1,000 standard single or half-fold paper toilet seat covers. Holds two standard core rolls through 5¼" in diameter. Non-controlled delivery. Waste receptacle capacity 1.0 gallon.

Rough wall opening 15½" W x 28⅞" H x 4" D.

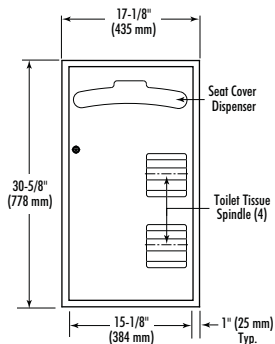
-10 Semi-Recessed

Projects 1¼" from wall. Not for use with grab bar.

-11 Surface-Mounted

Projects 4¼" from wall. Not for use with grab bar.

-69 Reverse Door Option



MODEL 592

Partition-mounted combination unit serves two compartments. Dispenses 1,000 standard single or half-fold paper toilet seat covers. Holds four standard core rolls through 5¼" in diameter. Non-controlled delivery.

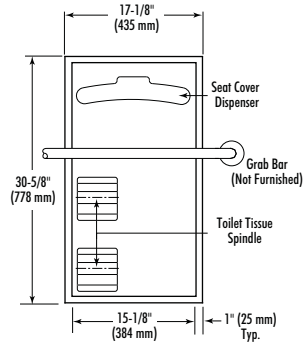
Partition opening 15½" W x 28⅞" H.



Distributed by
www.Ameraproducts.com
 Phone: (800) 608-6568
 Fax: (409) 840-5545
info@ameraproducts.com

COMBINATION UNITS

Distributed by
www.AmeraProducts.com
 Phone: (800) 608-6568
 Fax: (409) 840-5545
info@ameraproducts.com

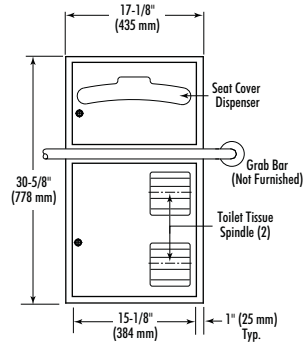
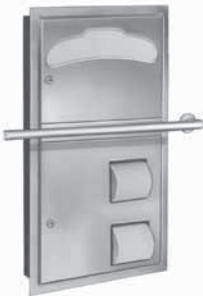


MODEL 5921

Partition-mounted combination unit serves two compartments. Mounts with one side flush against partition allowing clearance for grab bar in barrier-free compartment. Holds four standard core rolls through 5¼" in diameter. Servicing of unit accomplished from non-grab-bar compartment. Non-controlled delivery.

Partition opening 15½" W x 28⅞" H.

-69 Reverse Door Option



MODEL 5922 Bradex®

Recess mounted. Dispenses 1,000 standard single or half-fold paper toilet seat covers. Holds two standard core rolls through 5¼" in diameter. Non-controlled delivery.

Rough wall opening 15½" W x 28⅞" H x 4" D.

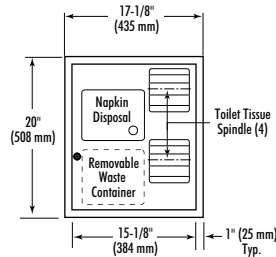
-10 Semi-Recessed

2⅞" in wall, projects 2" from wall. Not for use with grab bar.

-11 Surface-Mounted

Projects 4¼" from wall. Not for use with grab bar.

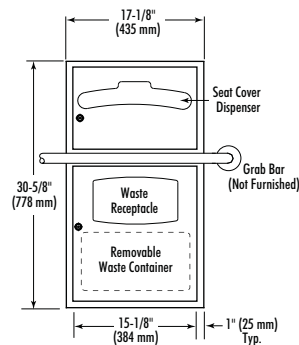
-69 Reverse Door Option



MODEL 594

Partition-mounted combination unit serves two compartments. Dispenses four standard core rolls through 5¼" in diameter, two rolls per compartment. Non-controlled delivery. Waste receptacle capacity 1.0 gallon.

Partition opening 15½" W x 18¼" H.



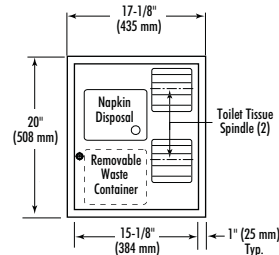
MODEL 5932

Recess-mounted combination unit. Dispenses 1,000 standard single or half-fold paper toilet seat covers. Waste receptacle capacity 1.7 gallons.

Rough wall opening 15½" W x 28⅞" H x 4" D.

-10 Semi-Recessed

-11 Surface-Mounted



MODEL 5942

Recess-mounted combination unit. Dispenses two standard core rolls through 5¼" in diameter. Non-controlled delivery. Napkin disposal has self-closing, push-flap door. Waste receptacle capacity 1.0 gallon.

Rough wall opening 15⅝" W x 18¼" H x 4¼" D.

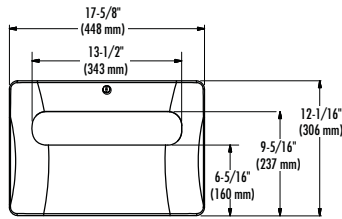
-10 Semi-Recessed 3¼" in wall, projects 1¼" from wall.

-11 Surface-Mounted Projects 4½" from wall.

-69 Reverse Door Option



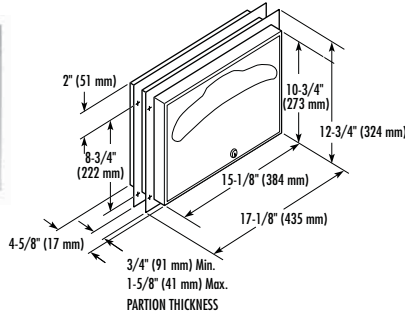
SEAT COVER DISPENSERS



MODEL 5A40-11 *Bradex*® NEW!

Designed with unique dual-curve geometry. Constructed of architectural satin finish stainless steel. Surface-mounted seat cover dispenser. Dispenses 250 standard single or half-fold paper toilet seat covers.

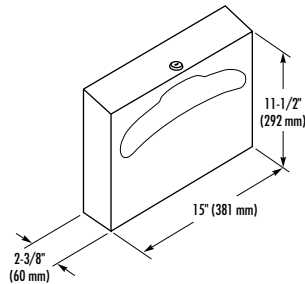
Unit measures 17 $\frac{5}{8}$ " W x 12 $\frac{1}{16}$ " H x 1 $\frac{3}{4}$ " D.



MODEL 582

Partition-mounted seat cover dispenser serves two compartments. Dispenses 1,000 single-fold or half-fold paper seat covers.

Partition opening 11" H x 15 $\frac{3}{8}$ " W.



MODEL 583 (shown) *Bradex*®

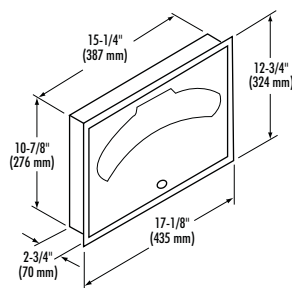
Surface-mounted seat cover dispenser. Dispenses 500 standard single or half-fold paper toilet seat covers. Does not lock.

Unit measures 15" W x 11 $\frac{1}{2}$ " H x 2 $\frac{3}{8}$ " D.

MODEL 5831

Unit dispenses 250 toilet seat covers.

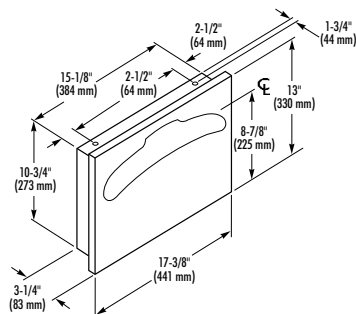
Unit measures 15 $\frac{3}{4}$ " W x 11" H x 2" D.



MODEL 584

Recess-mounted seat cover dispenser. Dispenses 500 standard single or half-fold paper toilet seat covers.

Rough wall opening 15 $\frac{3}{4}$ " W x 11 $\frac{3}{8}$ " H x 2 $\frac{3}{4}$ " D.



MODEL 5847 *Bradex*® Stainless Steel CONTEMPORARY SERIES

Recess-mounted, seat cover dispenser. Dispenses 500 standard single or half-fold toilet seat covers.

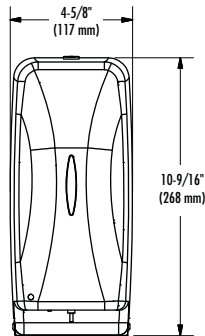
Rough wall opening 15 $\frac{5}{8}$ " W x 11 $\frac{1}{4}$ " H x 2 $\frac{3}{4}$ " D.



Distributed by
www.Ameraproducts.com
 Phone: (800) 608-6568
 Fax: (409) 840-5545
info@ameraproducts.com

SOAP DISPENSERS 600 SERIES

Bradley Soap Dispensers are constructed of stainless steel with exposed surfaces in architectural satin finish. Units feature one-piece, stainless steel flange of welded construction with seamless corners, burr-free edges and 1/4" return to conceal minor wall irregularities. Tumbler locks keyed alike to companion Bradley units.



MODEL 6A00-11 *Bradex*® NEW!

Designed with unique dual-curve geometry. Constructed of architectural satin finish stainless steel. Surface-mounted, automatic, liquid soap dispenser with 27 oz. capacity. Can also dispense hand sanitizer. Red light indicates low battery.

Unit measures 4 5/8" W x 10 9/16" H x 4 3/16" D.

RECESSED

MODEL 643

Recessed, horizontal, liquid soap dispenser. Stainless steel cabinet with plastic soap vessel. Buna-N check valves to prevent leaking. Slides open for filling. Holds 32 oz. liquid soap. Sight gauge on dispenser. ADA compliant. Requires less than 5 lbs. of force to operate.

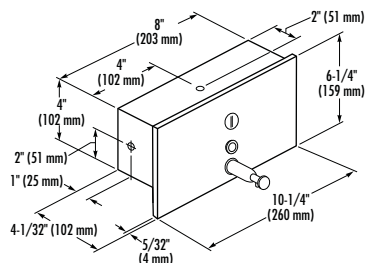
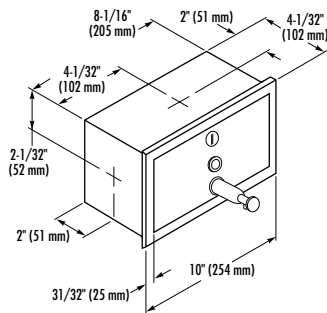
Rough wall opening 8 1/2" W x 4 1/2" H x 4" D.

MODEL 644 Vertically Mounted Unit with Stainless Steel Soap Vessel

Rough wall opening 4 1/2" W x 8 1/2" H x 4" D.

MODEL 646 Vertically Mounted Unit with Plastic Soap Vessel

Rough wall opening 4 1/2" W x 8 1/2" H x 4" D.



MODEL 6437 Stainless Steel CONTEMPORARY SERIES

Recess-mounted liquid soap dispenser of satin-finish stainless steel. Plastic soap vessel holds 32 oz. of liquid soap. Sight gauge on dispenser. ADA compliant. Requires less than 5 lbs. of force to operate.

Rough wall opening 8 1/2" W x 4 1/2" H x 4" D.

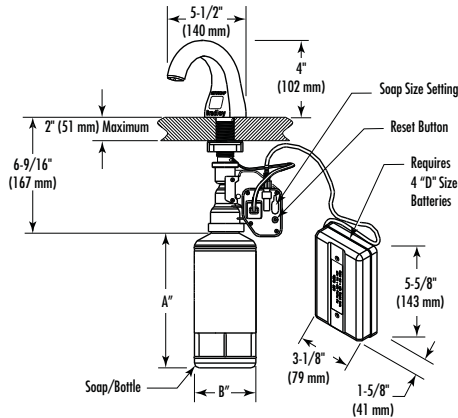


Distributed by
www.AmeraProducts.com

Phone: (800) 608-6568

Fax: (409) 840-5545

info@ameraproducts.com



LAVATORY-MOUNTED

MODEL 6315-KT0000 *Bradex*[®]

(Soap Dispenser Starter Kit: 6315, 1 bottle of soap, 4 "D" size batteries.) Sensor-operated soap dispenser with 5½" spout length. ADA compliant. Reliable Infrared Metering Activation. LED light indicators for low battery and low soap refill. Spout fabricated of chrome-plated plastic. Requires 1" diameter hole in lavatory or countertop 1½" from edge of sink.

MODEL 6315 Soap Dispenser Only

AC ADAPTOR

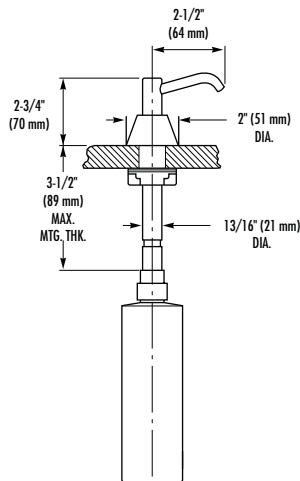
P19-231F Single soap dispenser adaptor

P19-231G Adaptor for up to 4 dispensers (need P19-231H for each dispenser)

P19-231H Wire assembly (to be used with P19-231G which requires 1 of these for each dispenser to be hooked up); up to 4 per P19-231G adaptor

P19-232A 2,000-shot non-refillable bottle

P19-232B 1,000-shot non-refillable bottle



MODEL 6322

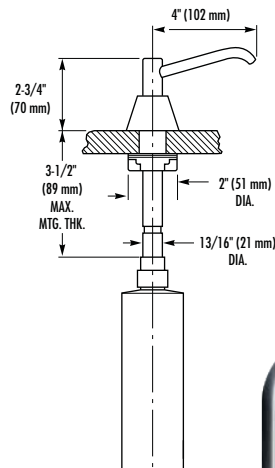
Liquid soap dispenser with 2½" spout length. Polyethylene container holds 16 oz. liquid soap. Stainless steel plunger and spout. Special key provided. Requires 1" diameter mounting hole. Shank length 3¾" – can be shortened in field. ADA compliant. Requires less than 5 lbs. of force to operate. Spout is fixed.

MODEL 6322-67

Unit with 16-oz. stainless steel soap container.

MODEL 6322-68

Unit with 32-oz. polyethylene soap container.



MODEL 6324 *Bradex*[®]

Liquid soap dispenser with 4" spout length and 4¾" shank. Polyethylene container holds 16 oz. liquid soap. ADA compliant. Requires less than 5 lbs. of force to operate. Spout is fixed.

MODEL 6324-67

Unit with 16-oz. stainless steel soap container.

MODEL 6324-68 *Bradex*[®]

Unit with 32-oz. polyethylene soap container.



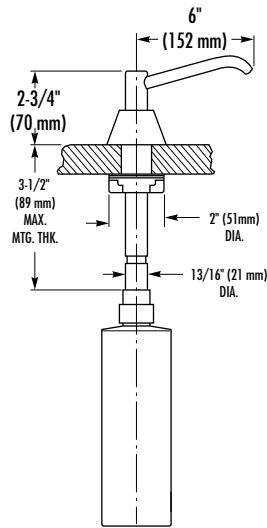
Distributed by
www.AmeraProducts.com

Phone: (800) 608-6568

Fax: (409) 840-5545

info@ameraproducts.com

SOAP DISPENSERS 600 SERIES



MODEL 6326 Bradex®

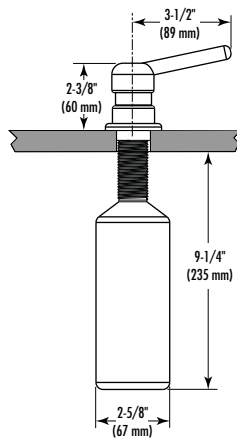
Liquid soap dispenser with 6" spout length. Polyethylene container holds 16 oz. liquid soap. ADA compliant. Requires less than 5 lbs. of force to operate. Spout is fixed.

MODEL 6326-67

Unit with 16-oz. stainless steel soap container.

MODEL 6326-68 Bradex®

Unit with 32-oz. polyethylene soap container.

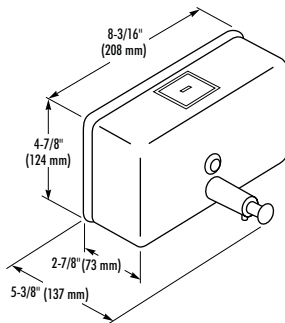


MODEL 6334

Liquid soap dispenser with 3½" spout length. Polyethylene container holds 16 oz. liquid soap. Chrome plated brass plunger and spout. Special key provided. Required 1¼" diameter hole in lavatory or countertop. ADA compliant. Requires less than 5 lbs. of force to operate.



SURFACE-MOUNTED



MODEL 6542 Horizontal Bradex®

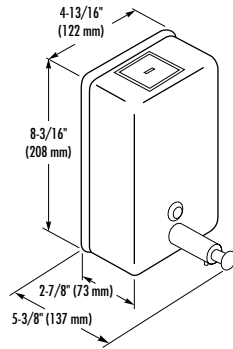
Liquid, tank-type soap dispenser of satin finish stainless steel. Holds 40 oz. liquid soap. Push-in-type valve. Concealed mounting. ADA compliant. Requires less than 5 lbs. of force to operate.

Unit measures 8⅞" W x 4⅞" H x 2⅞" D.

Valve projects 2½" from wall.



Distributed by
www.Ameraproducts.com
 Phone: (800) 608-6568
 Fax: (409) 840-5545
 info@ameraproducts.com

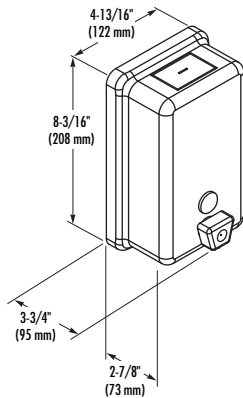


MODEL 6562 Vertical Bradex®

Liquid, tank-type soap dispenser of satin finish stainless steel. Holds 40 oz. liquid soap. Push-in-type valve. Concealed mounting. ADA compliant. Requires less than 5 lbs. of force to operate.

Unit measures 4¹³/₁₆" W x 8³/₁₆" H x 2⁷/₈" D.

Valve projects 2¹/₂" from wall.

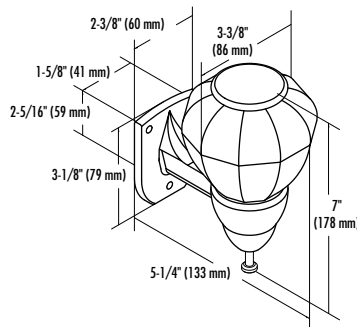


MODEL 6563 Vertical Bradex®

Liquid, tank-type soap dispenser of stainless steel with black ABS plastic valve. Holds 40 oz. liquid soap. Push-in-type valve. Surface mounting. ADA compliant. Requires less than 5 lbs. of force to operate. Ideal for higher end hospitality and other commercial restrooms.

Unit measures 4¹³/₁₆" W x 8³/₁₆" H x 2⁷/₈" D.

Valve projects 2¹/₂" from wall.

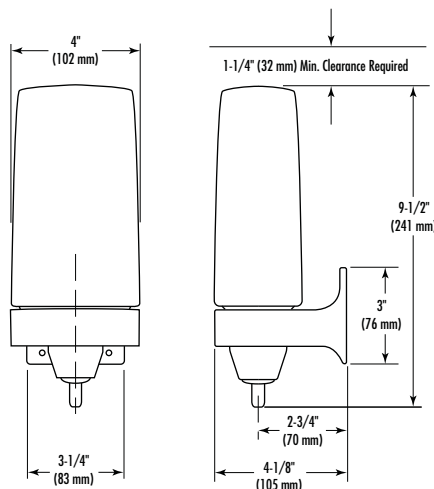


MODEL 648

Liquid soap dispenser features chrome-plated bracket, translucent polyethylene globe and push-up-type valve with corrosion-resistant components and vacuum-flow control. Holds 16 oz. liquid soap. Swivels for filling.

Unit measures 3³/₈" W x 7" H x 5¹/₄" D.

MODEL 6481 Unit with No Swivel (shown)



MODEL 650

MODEL 6501 Bradex®

Liquid soap dispenser with push-up-type valve. Translucent polyethylene globe, chrome-plated ABS bracket. Valve is black ABS with stainless steel spring.

MODEL 650

Unit measures 4" W x 9¹/₂" H x 4¹/₈" D.

Holds 32 oz. (diagram shown).

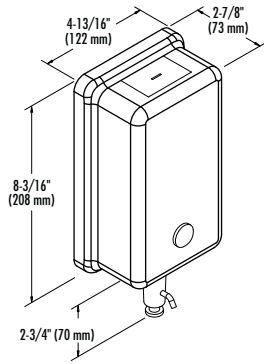
MODEL 6501

Unit measures 4" W x 7⁵/₈" H x 4¹/₈" D.

Holds 24 oz.

Distributed by
www.Ameraproducts.com
 Phone: (800) 608-6568
 Fax: (409) 840-5545
info@ameraproducts.com

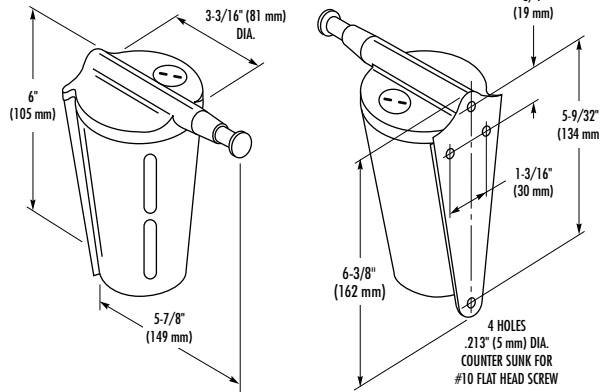
SOAP DISPENSERS 600 SERIES



MODEL 655

Liquid, tank-type soap dispenser with vertical valve. Fabricated of stainless steel with exposed surfaces in architectural satin finish. Holds 40 oz. liquid soap. ADA compliant. Requires less than 5 lbs. of force to operate.

Unit measures 4¹³/₁₆" W x 8³/₁₆" H x 2⁷/₈" D.

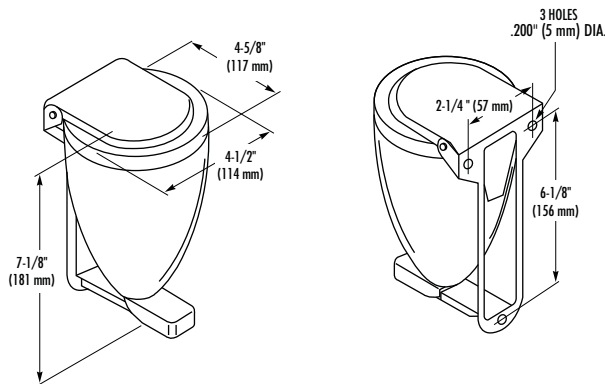


MODEL 657

Liquid soap dispenser. Chrome-plated brass with plastic container and chrome-plated plastic assembly. Holds 12 oz. liquid soap. Concealed mounting.

Unit measures 3³/₁₆" W x 6" H x 5⁷/₈" D (from wall to end of valve).

Valve projects 2¹/₁₆" from wall.

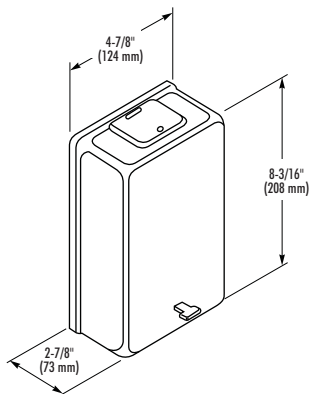


MODEL 658-30

Powdered soap dispenser of polished and satin finish stainless steel. Stainless push knob, springs and discharge mechanism. Holds 32 oz. powdered soap. Locked top covers filler hole.

Unit measures 4¹/₂" W x 7¹/₈" H x 4⁵/₈" D.

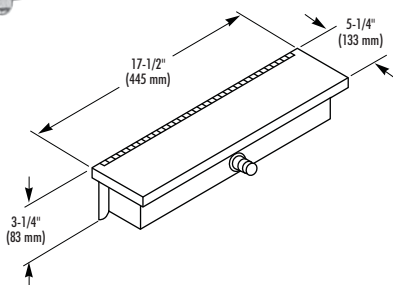
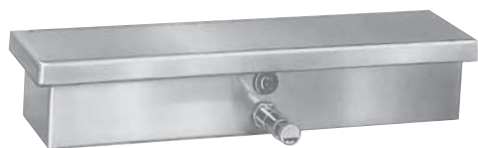
Distributed by
www.AmeraProducts.com
 Phone: (800) 608-6568
 Fax: (409) 840-5545
info@ameraproducts.com



MODEL 6583

Powdered soap dispenser of satin finished stainless steel with chrome-plated brass valve. Holds 32 oz. powdered soap. Locked top covers filler hole. Concealed mounting.

Unit measures 4⁷/₈" W x 8³/₁₆" H x 2⁷/₈" D.



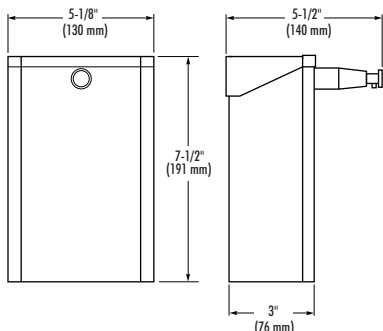
MODEL 661

Shelf-type, liquid soap dispenser. Stainless steel with architectural satin finish. Chrome-plated brass and ABS valve. 80 oz. liquid soap reservoir. Vandal-resistant sight gauge. Hinged shelf with concealed latch raises for filling. ADA compliant. Requires less than 5 lbs. of force to operate.

Unit measures 17¹/₂" W x 3¹/₄" H x 5¹/₄" D.

MODEL 662

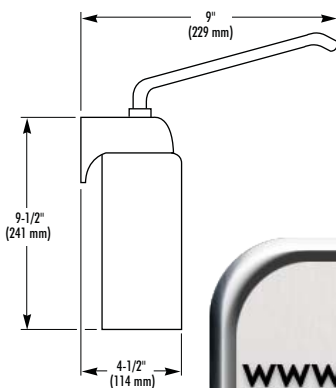
Unit with two liquid soap valves to mount between two lavatories.



MODEL 6531

Stainless steel with architectural satin finish. Locked cover removes for filling. Holds 44 oz. liquid soap. Push-in-type valve delivers measured amount of liquid soap.

Unit measures 5¹/₈" W x 7¹/₂" H x 3" D.



MODEL 6843

Foot-operated, medical soap dispenser. Housing of ABS plastic with stainless steel spout. Holds 32 oz. and unscrews for filling. Foot pump of molded rubber with anti-slip base and 8' vinyl tubing dispenses surgical liquid soaps, detergents and aseptic solutions with depression of pedal.

Unit measures 11¹/₂" H x 4¹/₂" D.

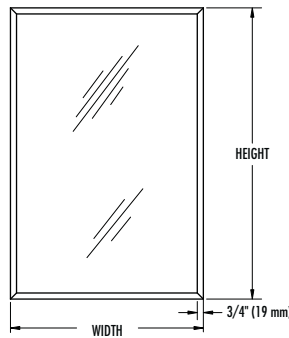
Spout projects 9" from wall.



Distributed by
www.Ameraproducts.com
 Phone: (800) 608-6568
 Fax: (409) 840-5545
 info@ameraproducts.com

Bradley Mirrors are made of first quality $\frac{1}{4}$ " float glass for a clean, contemporary look and feature triple, electro-copper plating and an exclusive backing for long-lasting use. Guaranteed against silver spoilage for 15 years. Frames fabricated of stainless steel with theft-resistant mounting brackets. Angle Frame and Channel Frame Mirrors feature one-piece, roll-formed frames for strength. Frames guaranteed 15 years against corrosion. Choose Angle Frame style for welded, polished corners and Channel Frame style for neatly mitered corners.

Optional Features are listed on page 46.

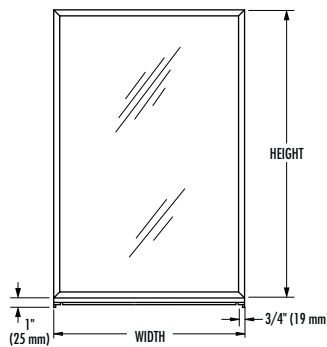


MODEL 780

Angle framed mirror. $\frac{3}{4}$ " x $\frac{3}{4}$ " **satin finish**, stainless steel angle frame with **welded and polished corners**. $\frac{1}{4}$ " thick glass. Wall hanger of 18-gauge steel provides theft-resistant mounting. Galvanized steel back plate with shock-absorbing, waterproof filler.

Standard or barrier-free applications.

*See technical data for **Bradex**® sizes.*

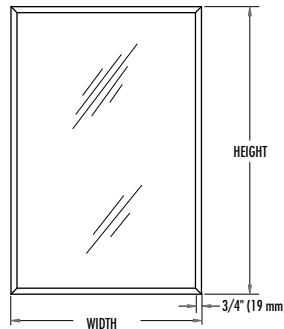


MODEL 7805

Angle framed mirror with shelf. $\frac{3}{4}$ " x $\frac{3}{4}$ " **satin finish** stainless steel angle frame with **welded and polished corners**. $\frac{1}{4}$ " thick glass. $\frac{5}{16}$ " W satin finish stainless steel shelf welded to frame. Shelf has flanged front and sides. Wall hanger of 18-gauge steel provides vandal- and theft-resistant mounting. Galvanized steel back plate with shock-absorbing, waterproof filler.

Standard or barrier-free applications.

*See technical data for **Bradex**® sizes.*

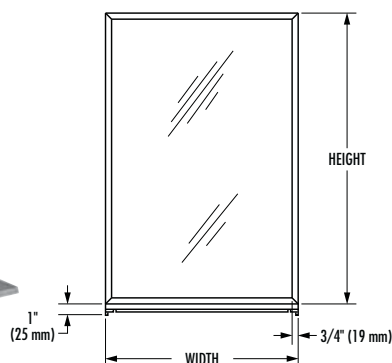


MODEL 781

Channel framed mirror. $\frac{3}{4}$ " x $\frac{3}{4}$ " x $\frac{7}{16}$ " channel frame of stainless steel with **bright annealed finish**. **Neatly mitered corners**. $\frac{1}{4}$ " thick glass. Wall hanger of 18-gauge steel provides vandal- and theft-resistant mounting. Galvanized steel back plate with shock-absorbing, waterproof filler.

Standard or barrier-free applications.

*See technical data for **Bradex**® sizes.*



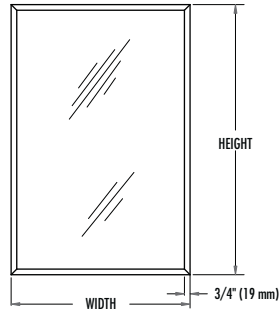
MODEL 7815

Channel-framed mirror with shelf. $\frac{3}{4}$ " x $\frac{3}{4}$ " x $\frac{7}{16}$ " frame of stainless steel with **bright annealed finish**. **Neatly mitered corners**. $\frac{1}{4}$ " thick glass. $\frac{5}{16}$ " W satin finish stainless steel shelf welded to frame. Wall hanger of 18-gauge steel provides vandal- and theft-resistant mounting. Galvanized steel back plate with shock-absorbing, waterproof filler.

Standard or barrier-free applications.

*See technical data for **Bradex**® sizes.*





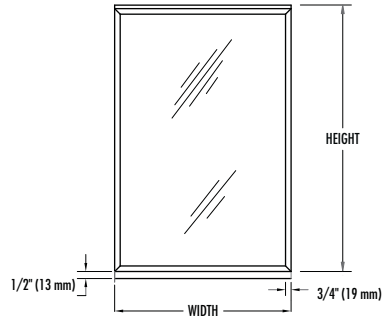
TILT MIRRORS

MODEL 740

Fixed-angle, tilt frame of satin finish stainless steel. $\frac{3}{4}$ " x $\frac{3}{4}$ " frame with welded and polished corners. $\frac{1}{4}$ " thick glass. Theft-resistant mounting bracket.

Standard or barrier-free applications.

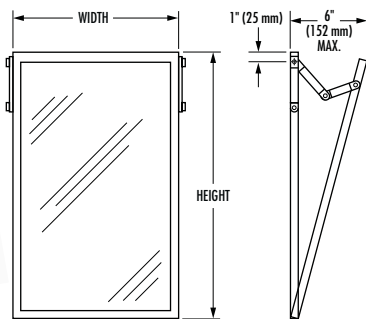
See technical data for projection from wall and **Bradex**® sizes.



MODEL 7405

Fixed-angle, tilt mirror with integral welded stainless steel shelf. $\frac{3}{4}$ " x $\frac{3}{4}$ " frame with welded and polished corners. $\frac{1}{4}$ " thick glass. Shelf is $5\frac{1}{2}$ " W, welded to frame, flanged front and sides with welded, polished corners. Theft-resistant mounting bracket.

Standard or barrier-free applications.



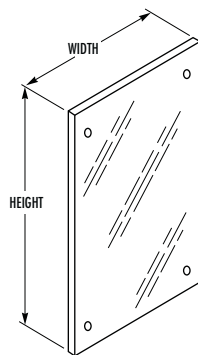
MODEL 782

Adjustable tilt mirror. $\frac{3}{4}$ " x $\frac{3}{4}$ " frame is bottom hinged and has welded, polished corners. $\frac{1}{4}$ " thick glass. Two friction elbow hinges on top allow unit to tilt up to maximum 6" from wall. Standard projection is 4."

Standard or barrier-free applications.



FRAMELESS MIRRORS



MODEL 747

Frameless $\frac{1}{4}$ " thick glass mirror. Metal clip fasteners. Only available in standard glass.

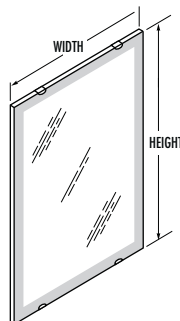
Standard or barrier-free applications.

MODEL 7471 Plastic Rosette Fasteners

Standard or barrier-free applications.

Only available in standard glass.

See technical data for **Bradex**® sizes.



MODEL 747F NEW!

Frosted, frameless mirror with first quality $\frac{1}{4}$ " thick glass mirror. Metal clip fasteners. Only available in standard glass.

-S Solid Acid-Etched Border

-P Plaid Acid-Etched Border

Distributed by
www.Ameraproducts.com

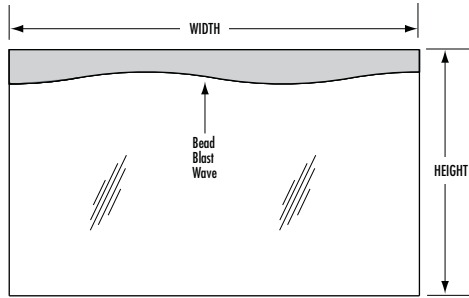
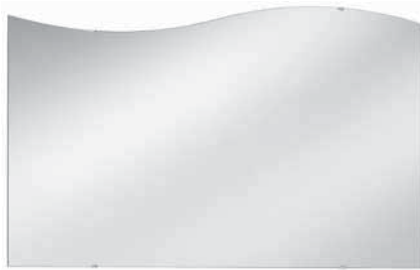
Phone: (800) 608-6568

Fax: (409) 840-5545

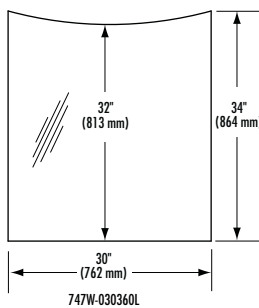
info@ameraproducts.com

FREQUENCY FRAMELESS MIRRORS

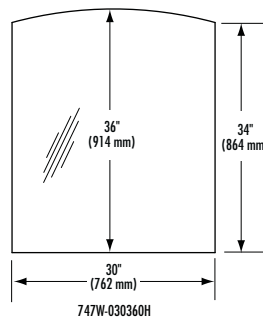
Add style to your rest room with frameless Frequency mirrors without compromising durability. The contemporary “wave” design enhances rest room aesthetics, while the triple silver plated float glass is guaranteed against silver spoilage for 15 years. Raise eyebrows with frameless Frequency mirrors today!



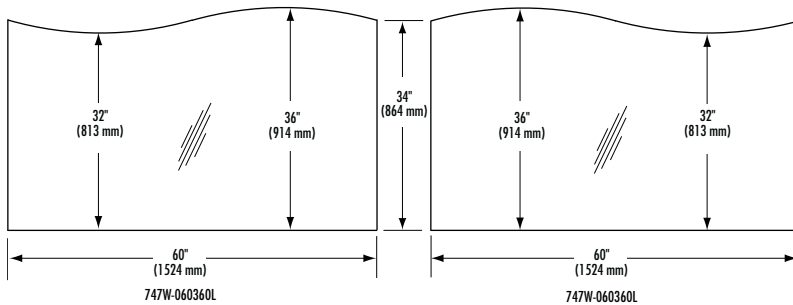
747W-060360B



747W-030360L



747W-030360H



747W-060360L

747W-060360L

MODEL 747W

Mirror of first quality 1/4" float glass, triple silver plated with electro-copper-plated layer and thermosetting infrared cured paint backing. Meets Commercial Item Description A-A-3002 against silver spoilage and guaranteed for 15 years. Edges ground and polished smooth.

MODELS

WIDTH (INCHES)	HEIGHT (INCHES)	GLASS OPTION	DESIGN OPTION	STANDARD MODEL NUMBER
30"	36"	0	B	747W-030360B
30"	36"	0	H	747W-030360H
30"	36"	0	L	747W-030360L
60"	36"	0	B	747W-060360B
60"	36"	0	H	747W-060360H
60"	36"	0	L	747W-060360L
90"	36"	0	H	747W-090360H
90"	36"	0	L	747W-090360L

Glass Option Codes:

0 = 1/4" plate glass mirror with polished edges

Design Option Codes:

B = Bead blasted wave

H = High (left side)

L = Low (left side)

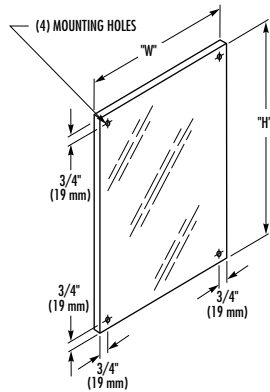


Distributed by
www.Ameraproducts.com
Phone: (800) 608-6568
Fax: (409) 840-5545
info@ameraproducts.com

OPTIONAL FEATURES

FEATURES	ADD SUFFIX
1/4" Tempered glass mirror	- 2
Laminated glass mirror	- 3
300 Series stainless steel polished to a No. 8 architectural-grade finish in lieu of glass	- 4
400 Series bright annealed stainless steel in lieu of glass	- 5
Plexiglass mirror	- 6

Note: Tempered, laminated, plexiglass and stainless steel provide extra security from broken glass but may differ in color and reflectivity from standard mirrors.



UNBREAKABLE STAINLESS STEEL MIRROR

MODEL 748

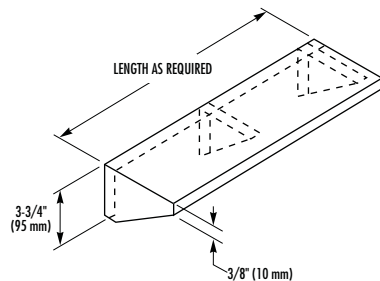
Unframed mirror of stainless steel polished to No. 8 architectural bright finish. Mirror has 1/4" return to conceal 1/4" tempered Masonite backing. Fastens with tamper-resistant screws.

Standard or barrier-free applications.

MODEL 7481

In bright annealed stainless steel.

Standard or barrier-free applications.



STAINLESS STEEL SHELVES

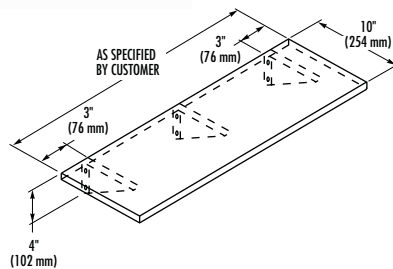
Surface-mounted shelves fabricated of stainless steel with exposed surfaces in architectural satin finish.

MODEL 755 5" Width

MODEL 756 6" Width

MODEL 758 8" Width

-24 24" Length **Bradex**



Surface-mounted shelves fabricated of stainless steel with exposed surfaces in architectural satin finish.

MODEL 7510 10" Width

MODEL 7512 12" Width

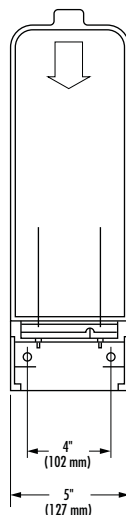
CHROME-PLATED ZINC SHELF

MODEL 790

Surface-mounted, fold-down utility shelf. Fabricated of heavy-duty, chrome-plated zinc die cast with textured shelf area. Rear hinged shelf folds down for use. Holds up to 150 lbs. Automatically returns to vertical position.

Unit measures 5" W x 14 7/8" D.

-SS Stainless Steel



Distributed by
www.Ameraproducts.com

Phone: (800) 608-6568

Fax: (409) 840-5545

info@ameraproducts.com

All Bradley Grab Bars are designed for safety and security of the physically disabled. The safety clearance feature is highly recommended by Barrier-Free design experts and required under most codes.

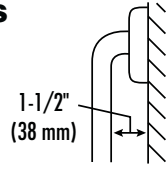
*Optional Features are listed on page 51. See technical data for **Bradex**® sizes.*

ANCHORING DEVICES

Building construction will govern the type of anchorage required.

Note: All mounting kits must be specified as optional extras. Order one kit for each flange.

See technical data for details.



Standard Safety Clearance meets ADA requirements.

Bradley will design and manufacture modified bars to satisfy unique installation applications. Contact your local Bradley representative for additional information.

FEATURES

- Heavy-duty, 18-gauge stainless steel tubing
- Meets or exceeds the requirements of ANSI Standard A117.1, the ADA and ABA Accessibility Guidelines for Buildings and Facilities (ADAAG) and the Uniform Federal Accessibility Standard (UFAS)
- Select configurations of the 812 and 817 series meet the bariatric load requirements of the American Society of Healthcare Engineers (ASHE) 2010 guidelines for design and construction of healthcare facilities
- Attractive satin finish, safety grip finish or polished safety grip finish available
- Easy to install with optional anchoring devices

HOW TO SPECIFY GRAB BARS

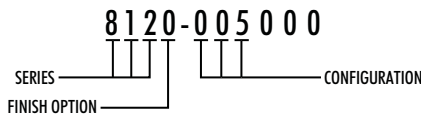
1. Select Series Number (812, 817, 832, etc.)

HEAVY-DUTY SERIES			
Mounting	1½" diameter	1¼" diameter	1" diameter
Concealed	812	832	852
Exposed	817	837	857

2. Select Finish Option (standard, safety grip, etc.)

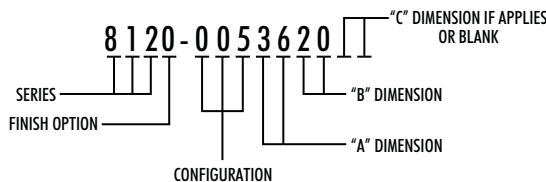
FEATURE	ADD SUFFIX
Standard	0
Safety Grip Finish	2
Bright Polished Finish	4
Bright Polished Finish with Safety Grip	7

3. Select Grab Bar Configuration (001, 002, 005, etc.)



4. Select Dimensions Required

- If no modifications are required to the dimensions, an example of the Part No. is:



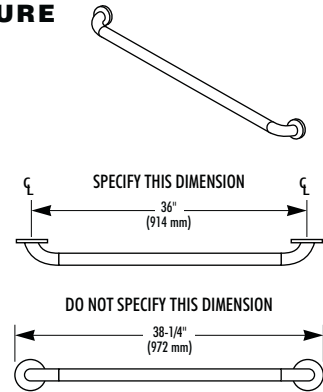
- Always list dimensions in alphabetical order (i.e., 36" x 20")

Note: If modifications are required to the dimensions other than A, B, or C, or if fractions are needed, contact Bradley for a submittal and special number. Unless otherwise stated, stand-off will be on long section of bar.

All dimensions shown in diagrams are from wall to centerline of mounting flange or centerline of grab bar. Standard clearance is 1½"

HOW TO MEASURE A GRAB BAR

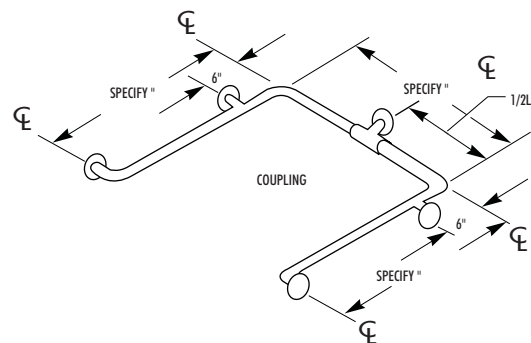
All Grab Bar Configurations are specified using centerline to centerline dimensions.

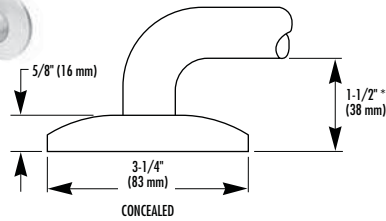


If wall dimensions are given:

- To obtain length of side bars, take clearance (1½") plus ½ of diameter of Grab Bar Series plus an additional 2" and subtract from side wall dimension
- To obtain back bar dimension, take clearance (1½") plus ½ of diameter of Grab Bar Series and subtract twice from back wall dimension

Example: 812 Series. If wall dimensions are 30" x 58" x 30", bar dimensions would be 25¼" x 53½" x 25¼."



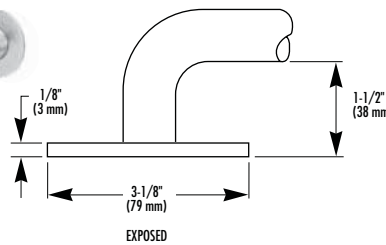


* 1-1/2" (38 mm) WALL CLEARANCE REQUIRED UNDER MOST BUILDING DESIGN CODES

812 SERIES

Grab bar of 1½" O.D., 18-gauge stainless steel, seamless construction with exposed surfaces in architectural satin finish. Mounting flanges concealed by snap-on escutcheons. Antimicrobial option is available for select sizes.

- 2 Safety-Grip Finish
- 4 High-Polish Finish
- 7 Safety Grip with Polished Finish on Ends

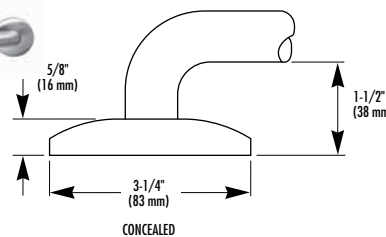


* 1-1/2" (38 mm) WALL CLEARANCE REQUIRED UNDER MOST BUILDING DESIGN CODES

817 SERIES

Grab bar of 1½" O.D., 18-gauge stainless steel, seamless construction with exposed surfaces in architectural satin finish. Exposed mounting flanges.

- 2 Safety-Grip Finish
- 4 High-Polish Finish
- 7 Safety Grip with Polished Finish on Ends

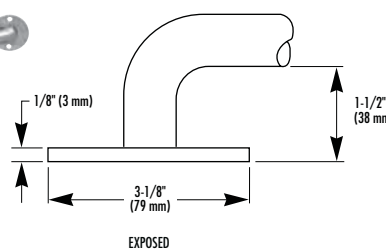


* 1-1/2" (38 mm) WALL CLEARANCE REQUIRED UNDER MOST BUILDING DESIGN CODES

832 SERIES

Grab bar of 1¼" O.D., 18-gauge stainless steel, seamless construction with exposed surfaces in architectural satin finish. Mounting flanges concealed by snap-on escutcheons.

- 2 Safety-Grip Finish
- 4 High-Polish Finish
- 7 Safety Grip with Polished Finish on Ends

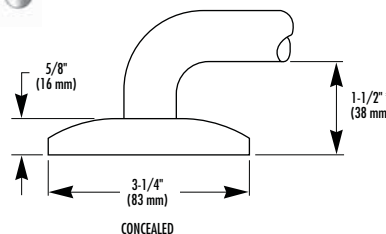


* 1-1/2" (38 mm) WALL CLEARANCE REQUIRED UNDER MOST BUILDING DESIGN CODES

837 SERIES

Grab bar of 1¼" O.D., 18-gauge stainless steel, seamless construction with exposed surfaces in architectural satin finish. Exposed mounting flanges.

- 2 Safety-Grip Finish
- 4 High-Polish Finish
- 7 Safety Grip with Polished Finish on Ends



* 1-1/2" (38 mm) WALL CLEARANCE REQUIRED UNDER MOST BUILDING DESIGN CODES

852 SERIES

Grab bar of 1" O.D., 18-gauge stainless steel, seamless construction with exposed surfaces in architectural satin finish. Concealed mounting flanges.

- 2 Safety-Grip Finish
- 4 High-Polish Finish
- 7 Safety Grip with Polished Finish on Ends

Distributed by
www.Ameraproducts.com
 Phone: (800) 608-6568
 Fax: (409) 840-5545
info@ameraproducts.com

Distributed by
www.Ameraproducts.com
 Phone: (800) 608-6568
 Fax: (409) 840-5545
 info@ameraproducts.com

TYPICAL WATER CLOSET APPLICATIONS

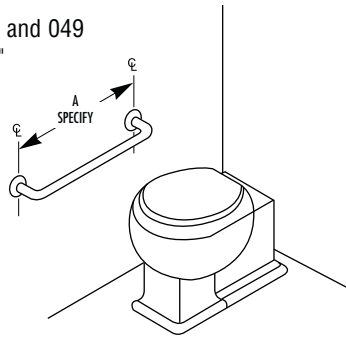
001

Specify length desired. See 048 and 049 for 45° mounting. 001 over 54" requires a center support and becomes 002.

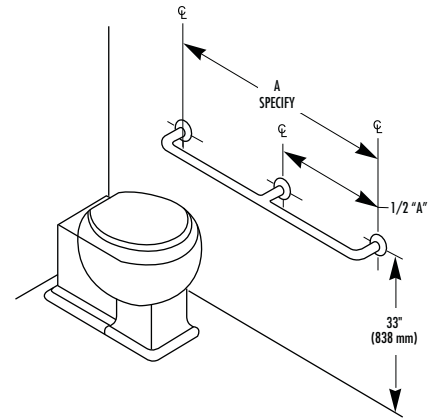
Select dimensions can support up to 1,000 lbs.



When installed as specified, unit meets "Barrier-Free" requirements.

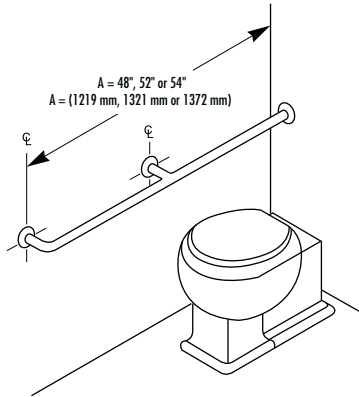


002

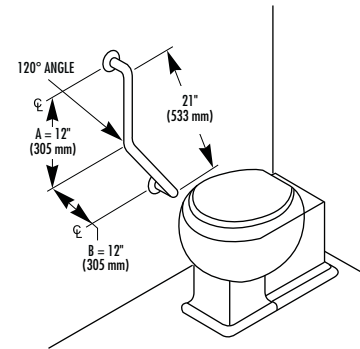


003

Standard lengths 48", 52" or 54". Only one end return. Special size "A" dimensions, center post will only be added to models greater than 24."

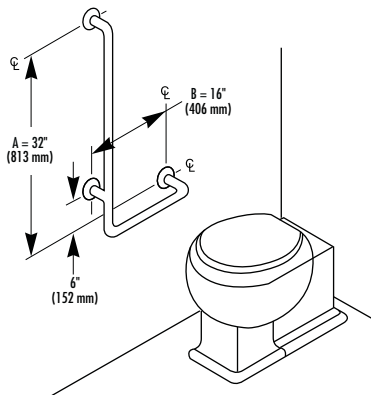


004



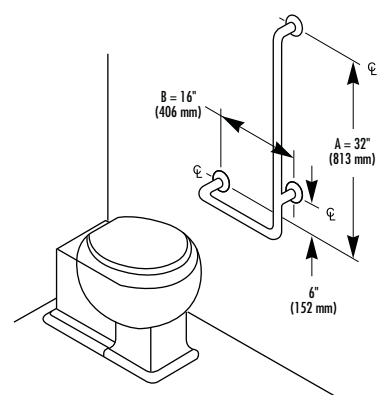
005

"A" dimension will always have stand off.

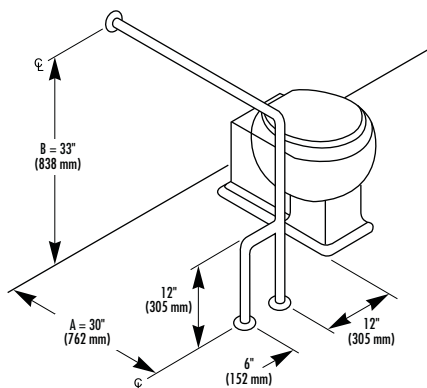


006

Opposite 005. "A" dimension will always have stand off.



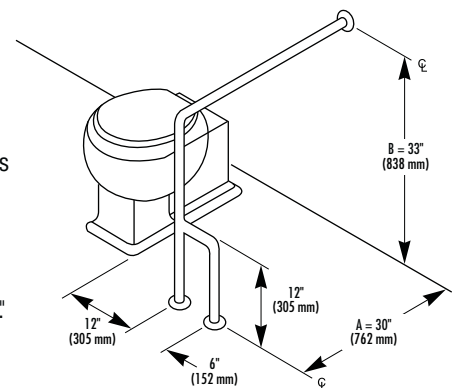
010



011

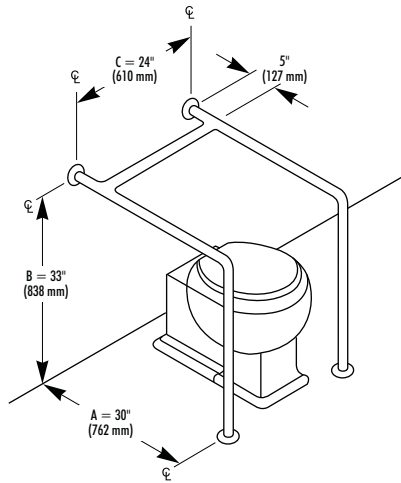
Opposite 010.

Note: When grab bar dimensions are modified, a support will be added to all sections longer than 54."



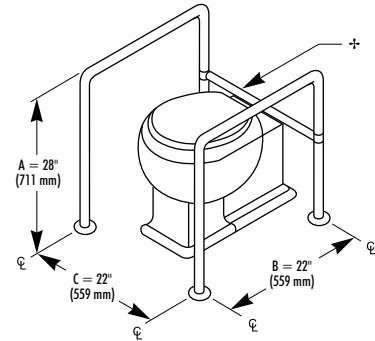
012

Confirm clearance between fixture or plumbing and grab bar in individual applications.



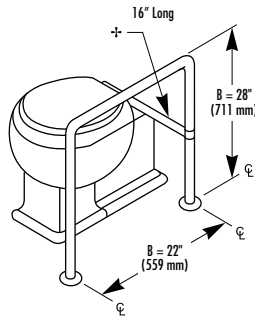
039

+ Bar slides to accommodate various size water closets.
 Flat bar – 2" wide x 1/8" thick.
 11 ga. bolts to toilet.



039-1

+ Bar adjustable for right or left hand mounting.
 Flat bar – 2" wide 1/8" thick.
 11 ga. bolts to toilet.

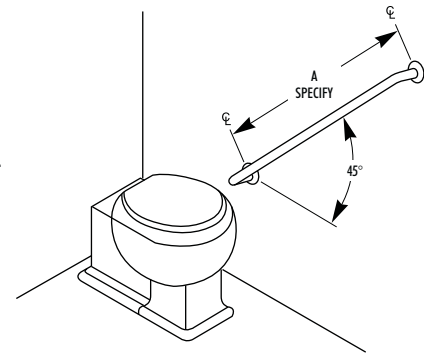


048

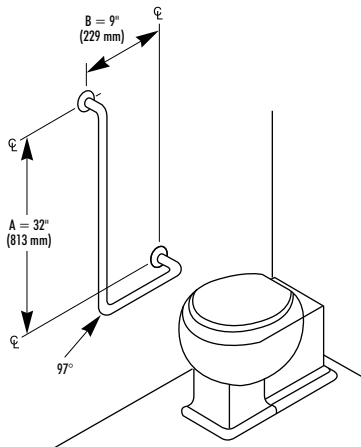
(shown)

049

Opposite hand.

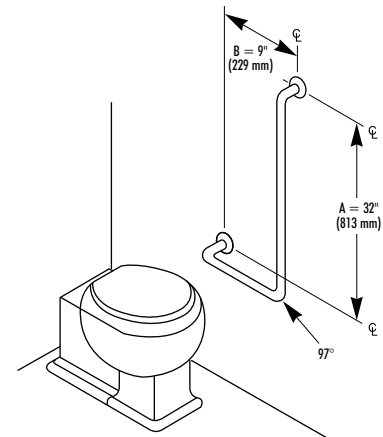


040

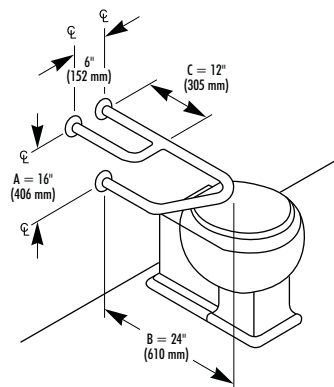


041

Opposite 040.

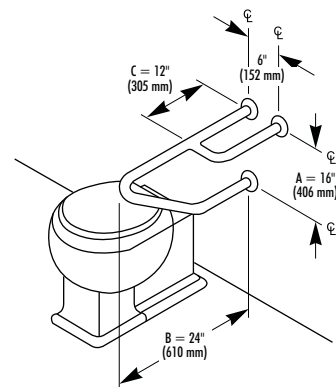


115



116

Opposite 115.



GRAB BAR CONFIGURATIONS 800 SERIES

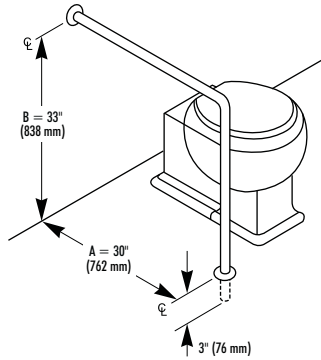
TYPICAL WATER CLOSET APPLICATIONS

054

30" x 33"

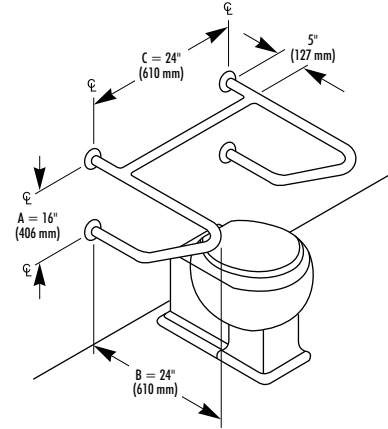
Note: 1" not available for this application.

Select dimensions can support up to 1,000 lbs.



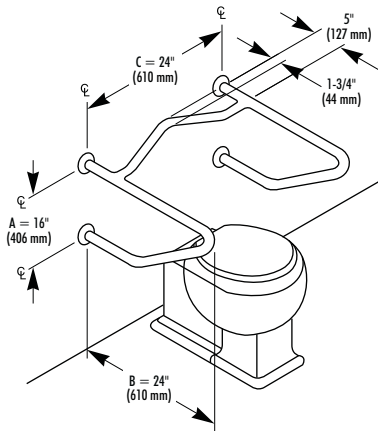
117

Confirm clearance between fixture or plumbing and grab bar in individual applications.



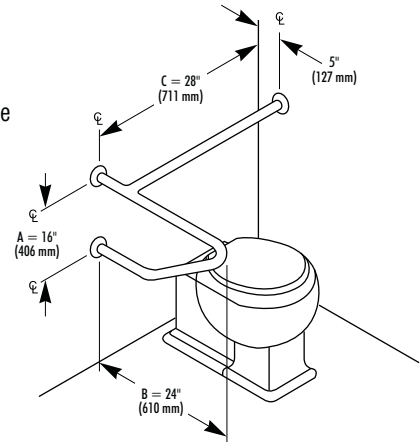
118

Confirm clearance between fixture or plumbing and grab bar in individual applications.



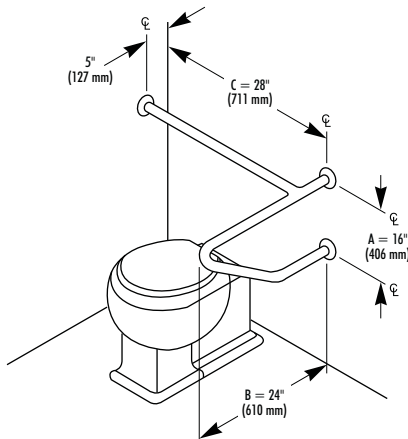
119

(Shown)
Confirm clearance between fixture or plumbing and grab bar in individual applications.



120

Opposite 119.

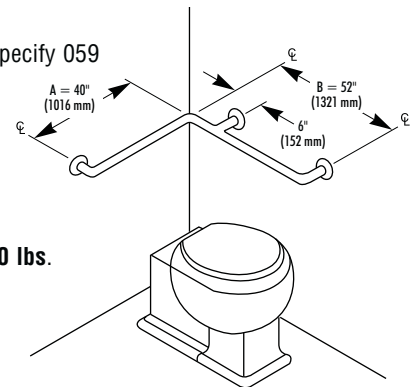


059

For special sizes, specify 059 modified 00" x 00"

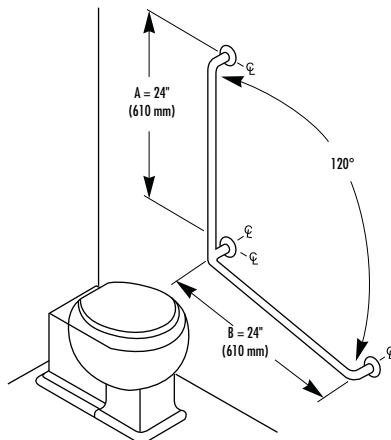
B side will have stand off.

Select dimensions can support up to 1,000 lbs.

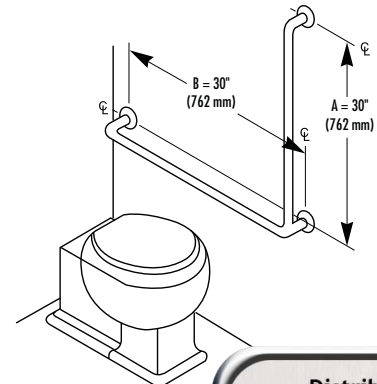


055

Select dimensions can support up to 1,000 lbs.



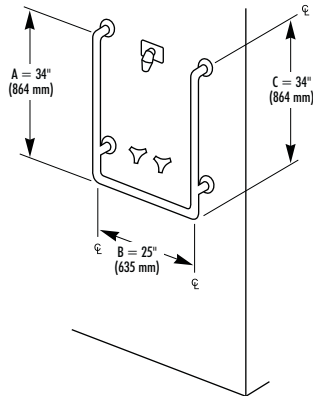
057



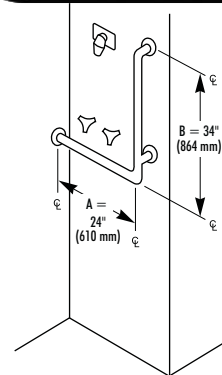
Distributed by
www.Ameraproducts.com
Phone: (800) 608-6568
Fax: (409) 840-5545
info@ameraproducts.com

TYPICAL SHOWER APPLICATIONS

007

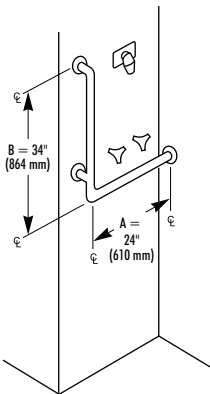


032

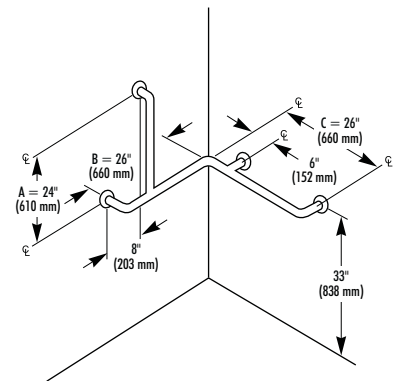


033

Opposite 032.

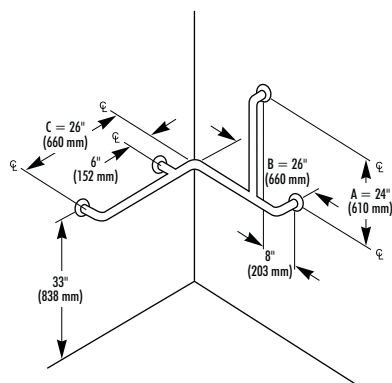


034

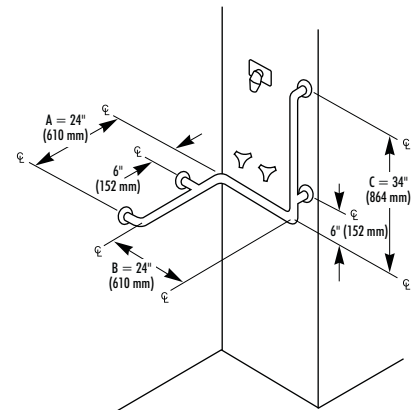


035

Opposite 034.

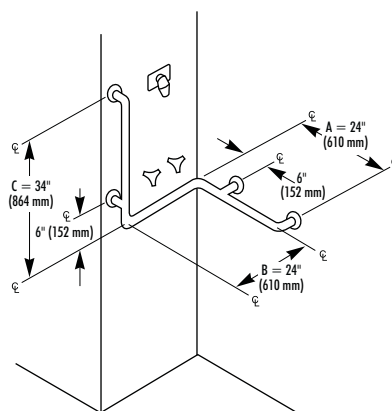


036



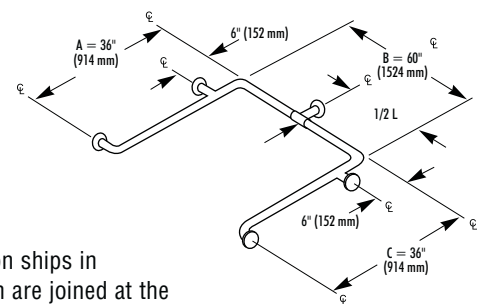
037

Opposite 036.



060

Specify
00" x 00" x 00."



Note: Standard dimensions are 36" x 60" x 36."

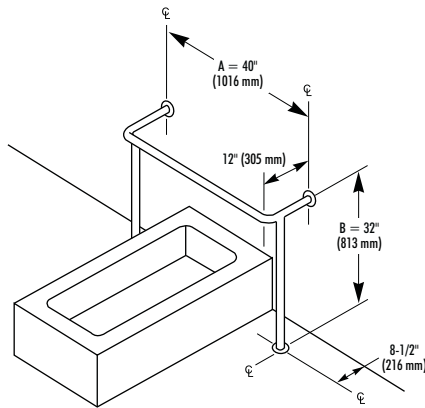
This configuration ships in two pieces which are joined at the coupling. This configuration is UPS shippable.

Select dimensions can support up to 1,000 lbs.

Distributed by
www.Ameraproducts.com
 Phone: (800) 608-6568
 Fax: (409) 840-5545
info@ameraproducts.com

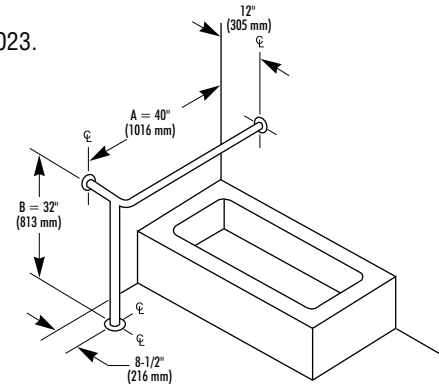
TYPICAL TUB APPLICATIONS

021

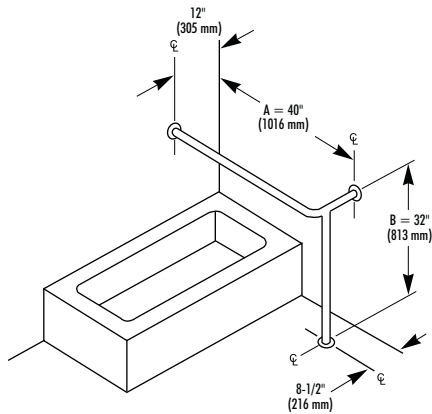


022

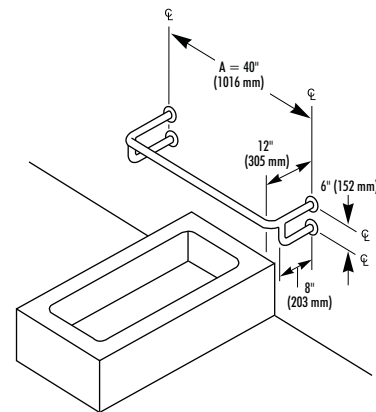
Opposite 023.



023

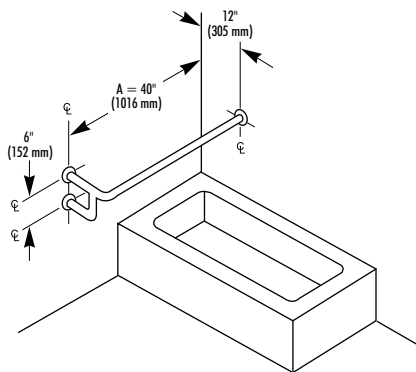


024

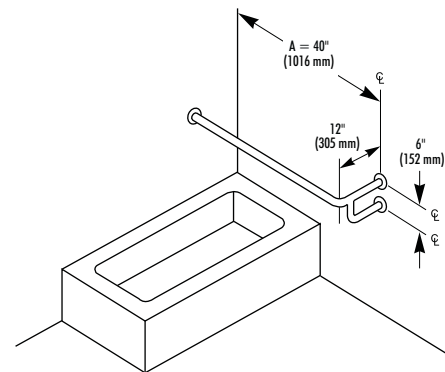


026

Opposite 027.

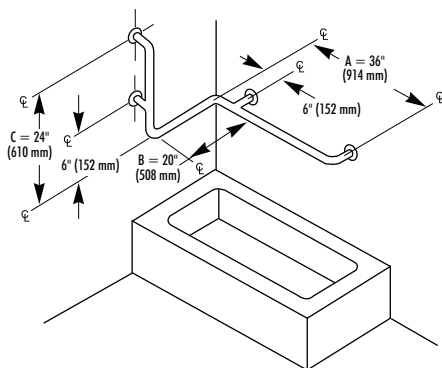


027

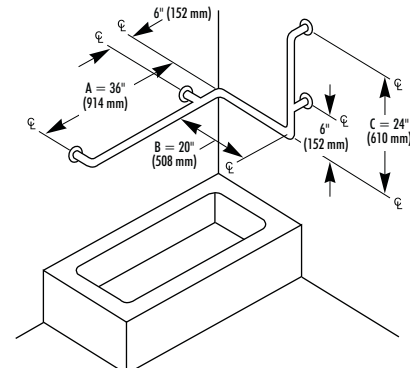


030

Opposite 031.

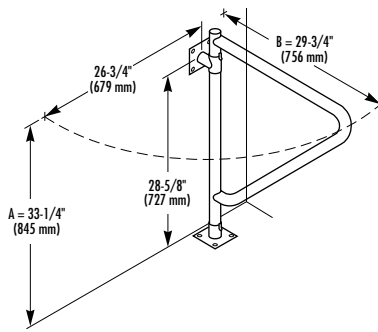


031



GRAB BARS 800 SERIES

Distributed by
www.Ameraproducts.com
 Phone: (800) 608-6568
 Fax: (409) 840-5545
 info@ameraproducts.com

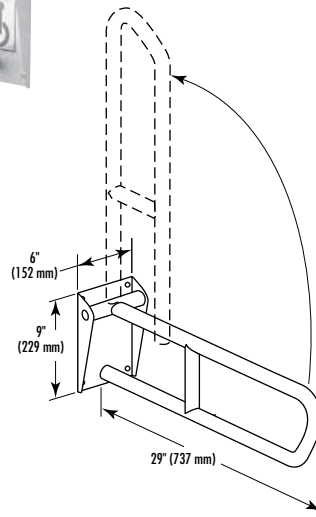
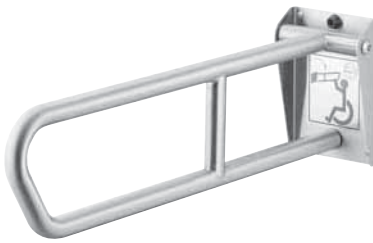


MODEL 8170-158

MODEL 8170-1581 with Integral Tissue Dispenser

Swing-away grab bar can be rotated to a support or departure position. Locks into support position. 1/8" O.D., 18-gauge stainless steel with exposed surfaces in architectural satin finish. Wall and floor flanges of 3/16" thick stainless steel plate.

-2 Safety-Grip Finish



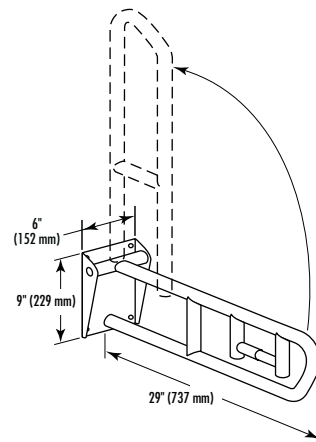
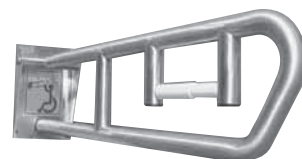
MODEL 8370 -101 Brad^{EX}

Swing-up grab bar swings up when not in use. Designed to prevent it from accidentally falling into position. Operates with less than 5 pounds of force. 1/4" O.D., 18-gauge stainless steel with exposed surfaces in architectural satin finish. Bar projects 29" from wall when in horizontal position.

-2 Safety-Grip Finish

MODEL 8370-102 Brad^{EX}

Bar projects 34" from wall in horizontal position.



MODEL 8370-103 Brad^{EX}

Swing-up grab bar with integral tissue dispenser. Swings up when not in use. Operates with less than 5 pounds of force. 1 1/4" O.D., 18-gauge stainless steel with exposed surfaces in architectural satin finish. Tissue dispenser spindle of ABS plastic with concealed spring. Bar projects 29" from wall in horizontal position.

-2 Safety-Grip Finish



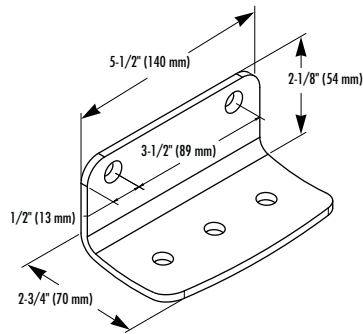
OPTIONAL FEATURES

FEATURES	MODELS	ADD SUFFIX
Safety-grip finish	All models	- 2
High-polish finish	All models except 8170-158, 8170-158-1, 8370-101 and 8370-103	- 4
Safety grip with polished finish	All models except 8170-158, 8170-158-1, 8370-101 and 8370-103	- 4

HOSPITALITY 900 SERIES

Bradley offers quality crafted accessories for hotel washrooms and showers. Sturdy, stainless steel construction provides years of dependable service. Attractive, streamlined design works well with contemporary or traditional styling. Available in a variety of finishes to complement any hotel decor.

STAINLESS STEEL

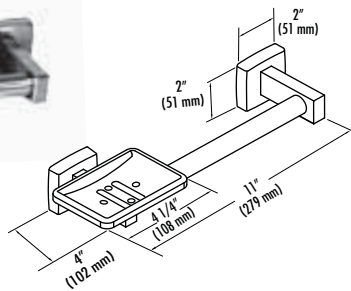


MODEL 900 *Bradex*®

Surface-mounted, extra heavy-duty, 7-gauge soap dish with drain holes. Satin finish.

Unit measures 5½" W x 2⅛" H x 2¾" D.

MODEL 9001 18-Gauge Soap Dish

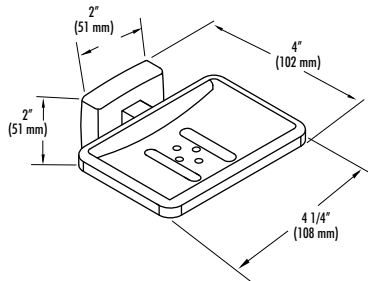


MODEL 9034 Satin Finish

MODEL 9035 Bright Polish Finish

Surface-mounted towel bar with soap dish. Concealed mounting plate with set screw.

Unit measures 11" W x 4" D.



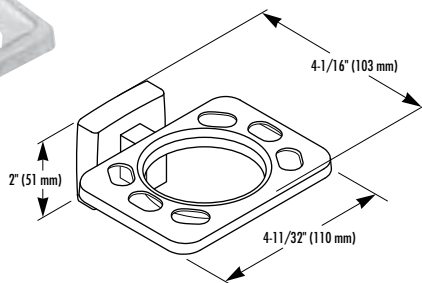
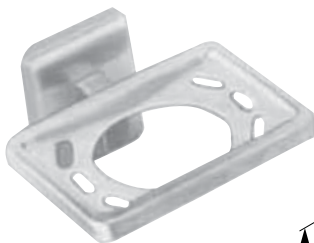
MODEL 9014 Satin Finish *Bradex*®

MODEL 9015 Bright Polish Finish *Bradex*®

Surface-mounted soap dish with drain holes. Concealed mounting plate with set screw.

Unit measures 4¼" W x 4" D.

-63 Without Drain Holes



MODEL 9044 Satin Finish *Bradex*®

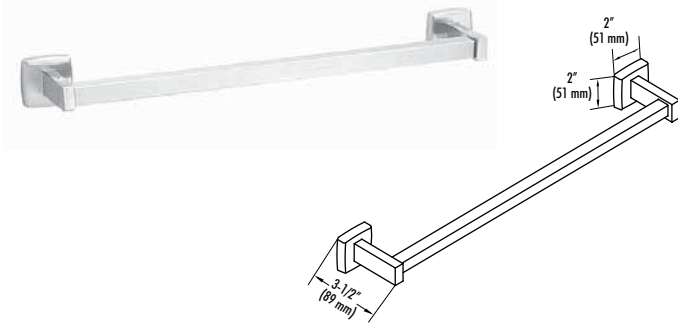
MODEL 9045 Bright Polish Finish

Surface-mounted tumbler and toothbrush holder. Concealed mounting plate with set screw.

Unit measures 4⅛" W x 4⅛" D.

Distributed by
www.Ameraproducts.com
 Phone: (800) 608-6568
 Fax: (409) 840-5545
info@ameraproducts.com

STAINLESS STEEL



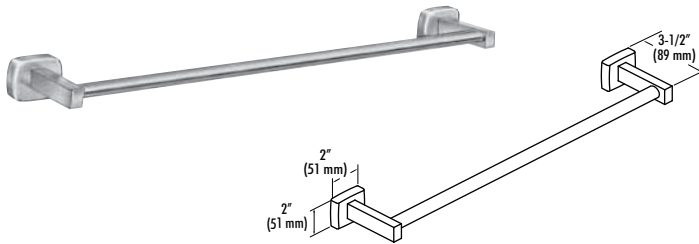
MODEL 9054 Satin Finish *Bradex*®

MODEL 9055 Bright Polish Finish *Bradex*®

Surface-mounted, 3/4" square towel bar.
 Concealed mounting plate with set screw.

Units available in 18", 24" and 30"* widths.
 Projects 3" from wall.

* Not available for *Bradex*® shipment.



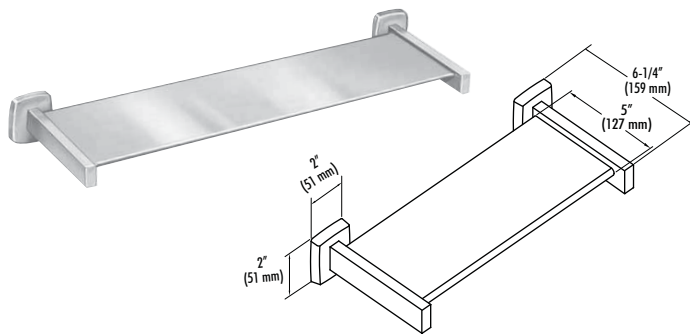
MODEL 9065 Satin Finish *Bradex*®

MODEL 9066 Bright Polish Finish *Bradex*®

Surface-mounted, 3/4" round towel bar.
 Concealed mounting plate with set screw.

Units available in 18", 24" and 30"* widths.
 Projects 3" from wall.

* Not available for *Bradex*® shipment.

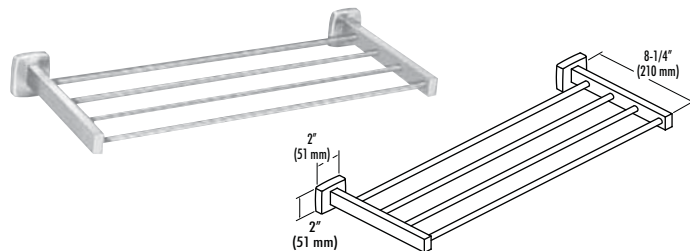


MODEL 9094 Satin Finish

MODEL 9095 Bright Polish Finish (shelf is satin finish)

Surface-mounted, 5" D shelf.
 Concealed mounting plate with set screw.

Units available in 18" or 24" widths.
 Projects 6 1/4" from wall.

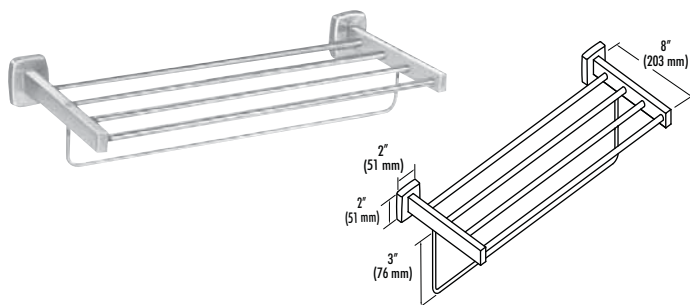


MODEL 9104 Satin Finish

MODEL 9105 Bright Polish Finish

Surface-mounted, 8" D towel shelf.
 Concealed mounting plate with set screw.

Units available in 18" or 24" widths.

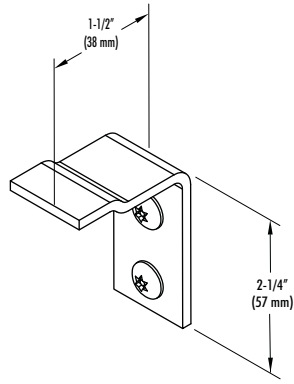


MODEL 9104-90 Satin Finish

MODEL 9105-90 Bright Polish Finish

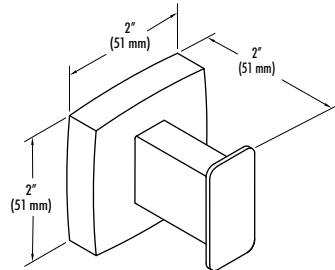
Surface-mounted, 8" D towel shelf with towel bar.
 Concealed mounting plate with set screw.

Units available in 18" or 24" widths.



MODEL 9111 Satin Finish

Surface-mounted clothes hook. Exposed mounting.
Projects 1½" from wall.

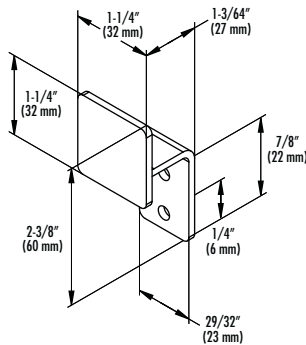


MODEL 9114 Satin Finish Bradex®

MODEL 9115 Bright Polish Finish Bradex®

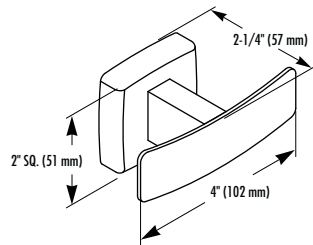
Surface-mounted, single robe hook.
Concealed mounting plate with set screw.

Units measure 2" W x 2" H.
Projects 2" from wall.



MODEL 917 Satin Finish Bradex®

Surface-mounted, single robe hook. Exposed mounting.
Projects 1⅝" from wall.

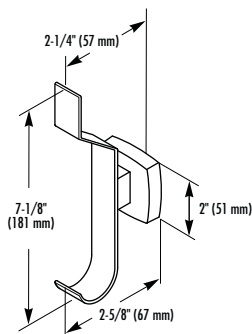


MODEL 9124 Satin Finish Bradex®

MODEL 9125 Bright Polish Finish Bradex®

Surface-mounted, double robe hook. Concealed mounting plate with set screw.

Projects 2¼" from wall.



MODEL 9134 Satin Finish Bradex®

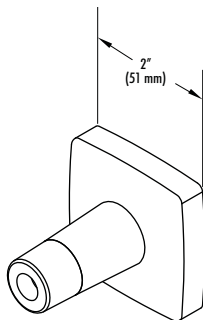
MODEL 9135 Bright Polish Finish Bradex®

Surface-mounted, combination hat and coat hook.
Concealed mounting plate with set screw.

Projects 2⅝" from wall.



Distributed by
www.Ameraproducts.com
Phone: (800) 608-6568
Fax: (409) 840-5545
info@ameraproducts.com

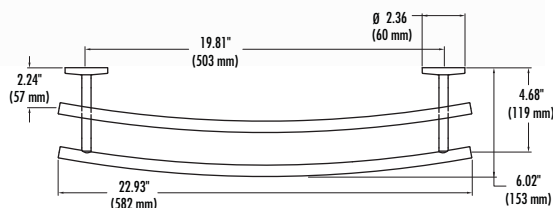


STAINLESS STEEL

MODEL 9144 Satin Finish

Surface-mounted, door stop of high-impact plastic with rubber end cushion. Concealed mounting plate with set screw.

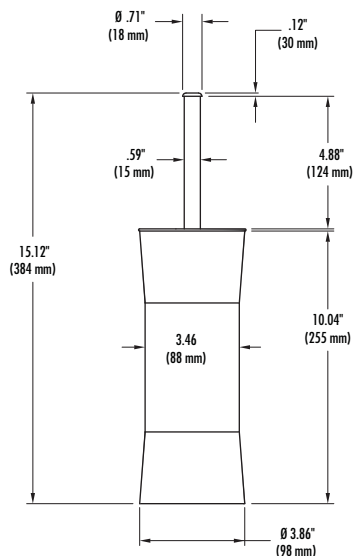
Projects 2 1/8" from wall.



MODEL 9180 Bradex®

Chrome-plated double towel bar. Upscale hospitality double towel bar. Surface-mounted, contemporary design. Polished Chrome finish.

Unit measures 24" Length

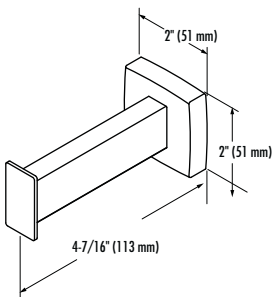


MODEL 9182 Bradex®

Chrome-plated toilet brush and holder. Upscale, contemporary design. Free standing.

Distributed by
www.Ameraproducts.com
Phone: (800) 608-6568
Fax: (409) 840-5545
info@ameraproducts.com

STAINLESS STEEL



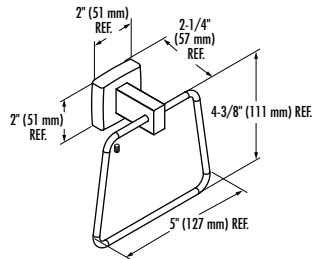
MODEL 9314 Satin Finish Bradex®

MODEL 9315 Bright Polish Finish

Surface-mounted towel hook. Concealed mounting plate with set screw.

MODEL 9314 Projects 4 7/16" from wall.

MODEL 9315 Projects 4 1/8" from wall.

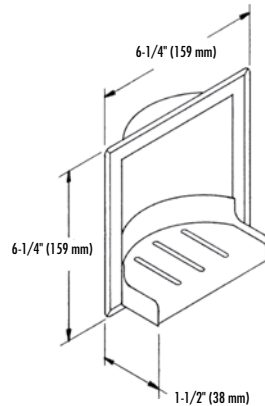


MODEL 9334 Satin Finish

MODEL 9335 Bright Polish Finish Bradex®

Surface-mounted towel ring. Concealed mounting plate with set screw.

Projects 2 3/8" from wall.

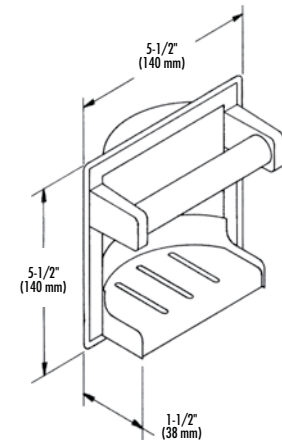


MODEL 9353 Satin Finish

MODEL 9352 Bright Polish Finish

Recess-mounted soap dish. Plastic soap tray.

Rough wall opening 5 1/4" W x 5 1/4" H x 2" D.



MODEL 9362 Bright Polish Finish Stainless Steel

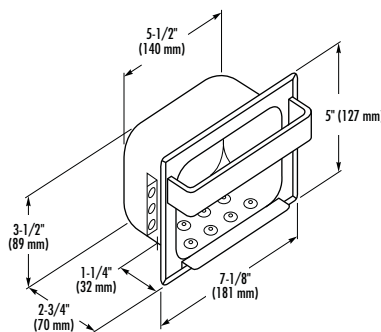
MODEL 9363 Satin Stainless Steel

Recess-mounted soap dish. Heavy, clear-plastic soap tray.

MODEL 9362 & 9363

Rough wall opening 5 1/4" W x 5 1/4" H x 2" D.

-55 Back Clamp for Drywall Mounting



MODEL 940

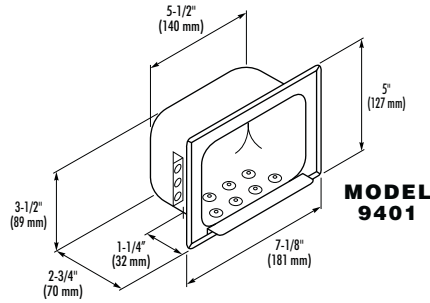
Recess-mounted soap dish. Unit anchors in masonry walls with mortar lugs.

Rough wall opening 6 1/4" W x 4 1/4" H x 2 3/4" D.

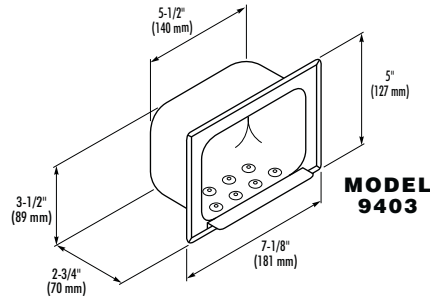
MODEL 9402

Unit with back clamp for drywall mounting.

Distributed by
www.Ameraproducts.com
 Phone: (800) 608-6568
 Fax: (409) 840-5545
info@ameraproducts.com



MODEL 9401



MODEL 9403

MODEL 9401 with Mortar Lugs

MODEL 9403 with Wall Clamp *Bradex*[®]

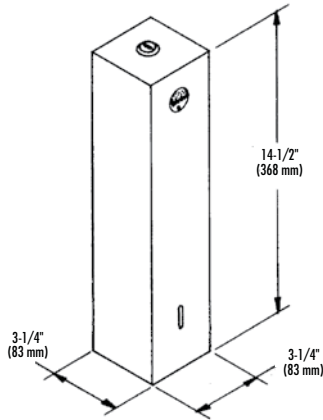
Recess-mounted soap dish.

Rough wall opening 6¼" W x 4¼" H x 2¾" D.

MODEL 9403-96

Unit without drip lip.

Distributed by
www.Ameraproducts.com
 Phone: (800) 608-6568
 Fax: (409) 840-5545
info@ameraproducts.com



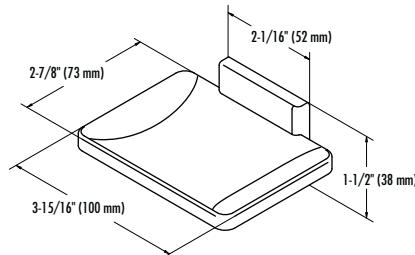
MODEL 9495

Surface-mounted cup dispenser. Fabricated of 22-gauge stainless steel with exposed surfaces in architectural satin finish. Cabinet hinged at bottom and secured with tumbler lock on top. Holds 150 3-oz. cups. Also accommodates 7-oz. cups.

Unit measures 3¼" W x 14½" H x 3¼" D.



CHROME-PLATED ZAMAC



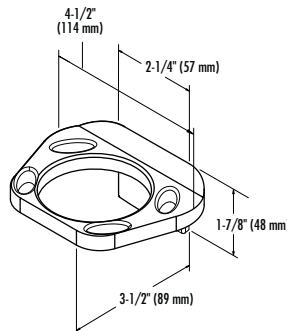
MODEL 921 *Bradex*[®]

MODEL 921-60 with Drain Holes

Surface-mounted soap dish.

Concealed mounting plate with set screw.

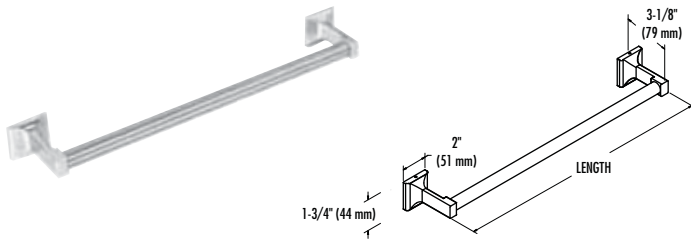
Unit measures 3¹⁵/₁₆" W x 2⁷/₈" D.



MODEL 924

Surface-mounted tumbler and toothbrush holder. Concealed mounting plate with set screw.

Unit measures 4½" W x 3½" D.

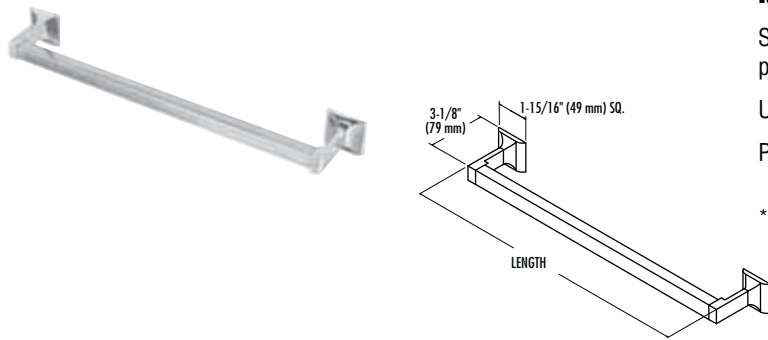


MODEL 926

Surface-mounted, 3/4" round towel bar. Concealed mounting plate with set screw.

Unit available in 18", 24", and 30" widths.

Projects 3 1/8" from wall.



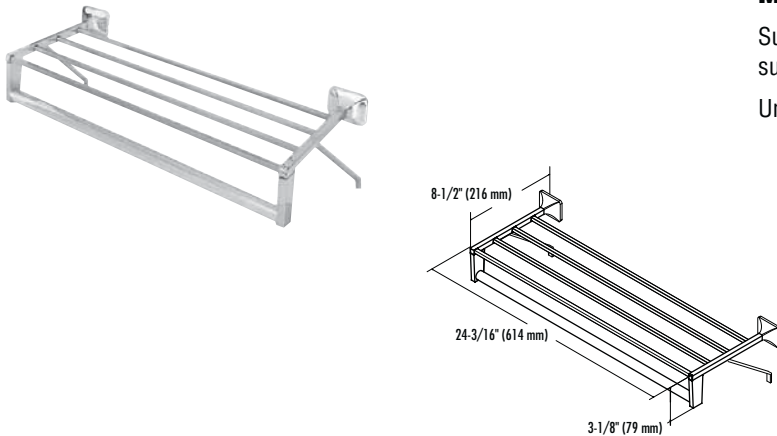
MODEL 927 Bradex®

Surface-mounted, 3/4" square towel bar. Concealed mounting plate with set screw.

Unit available in 18", 24", and 30"* widths.

Projects 3 1/8" from wall.

*Not available for Bradex® shipping.

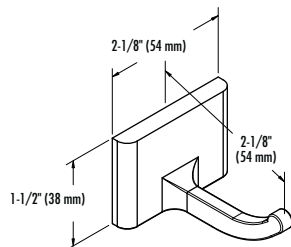


MODEL 9301

Surface-mounted, 8 1/2" deep towel shelf with towel bar and support braces. Concealed mounting plate with set screw.

Unit available in 18" or 24" widths.

Distributed by
www.AmeraProducts.com
Phone: (800) 608-6568
Fax: (409) 840-5545
info@ameraproducts.com

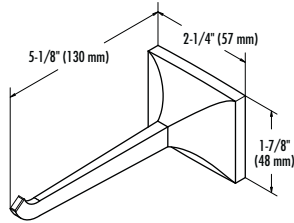


MODEL 931

Surface-mounted, single robe hook. Concealed mounting plate with set screw.

Projects 2 1/8" from wall.

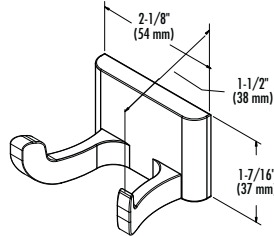




MODEL 9311

Surface-mounted towel hook. Concealed mounting plate with set screw.

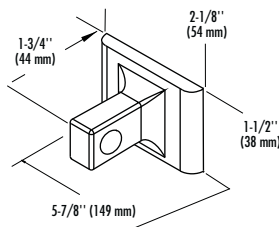
Projects 5 1/8" from wall.



MODEL 932 Bradex®

Surface-mounted, double robe hook. Concealed mounting plate with set screw.

Projects 1 1/2" from wall.



MODEL 934

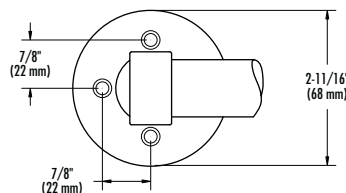
Surface-mounted towel ring. Concealed mounting plate with set screw.

Projects 1 3/4" from wall.



MODEL 947

Surface-mounted retractable clothesline. Constructed of heavy-gauge No. 8 bright polished stainless steel. Cord length is 6 feet.



MODEL 908

Heavy-duty, surface-mounted, round towel bar. Support posts are chrome-plated brass with satin finish. Bar is satin finish stainless steel, 1" O.D.

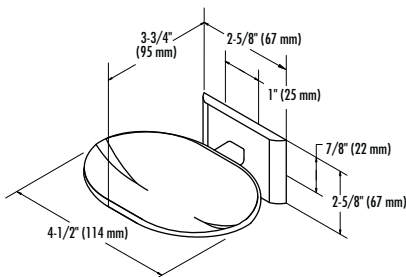
Unit available in 18," 24" and 30" widths.

Projects 3/4" from wall.

-24 24" Length Bradex®



Distributed by
www.Ameraproducts.com
Phone: (800) 608-6568
Fax: (409) 840-5545
info@ameraproducts.com

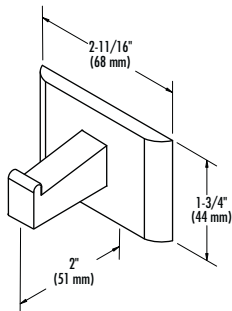


CHROME-PLATED BRASS

MODEL 901

MODEL 901-60 with Drain Holes

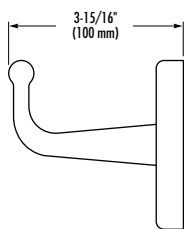
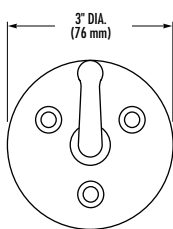
Soap dish. Snaps over concealed mounting plate.



MODEL 911

Single robe hook. Snaps over concealed mounting plate.

Projects 2" from wall.



MODEL 9118 Exposed Mounting *Bradex*[®]

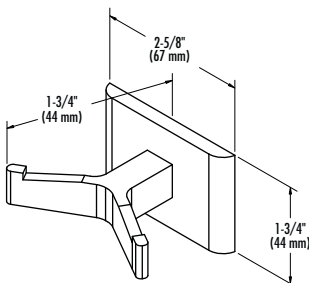
MODEL 9119 Concealed Mounting *Bradex*[®]

Robe hook constructed of forged brass with bright chrome finish.

Unit measures 3" in diameter.

Projects 3¹⁵/₁₆" from wall.

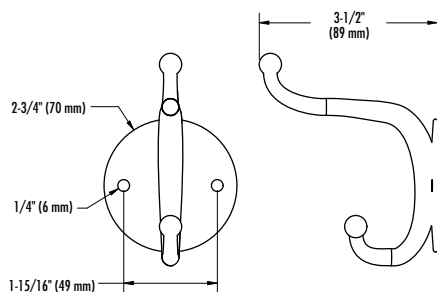
-81 Chrome-Plated Brass



MODEL 912 *Bradex*[®]

Double robe hook. Snaps over concealed mounting plate.

Projects 1³/₄" from wall.



MODEL 914

Double hook. Exposed fasteners. Unit measures 2³/₄" in diameter.

Projects 1¹/₂" and 3¹/₂" from wall.

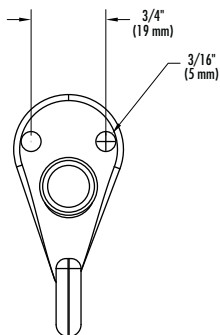


Distributed by
www.Ameraproducts.com

Phone: (800) 608-6568

Fax: (409) 840-5545

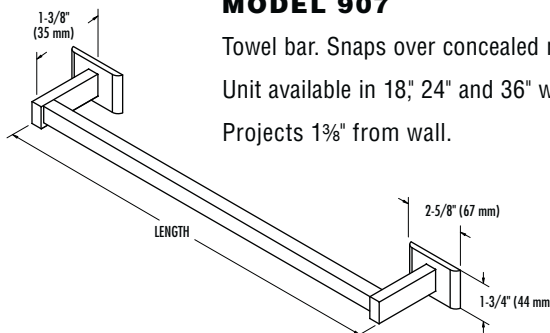
info@ameraproducts.com



MODEL 915 Bradex®

Hook and bumper. Exposed fasteners.

Projects 3" from wall.



MODEL 907

Towel bar. Snaps over concealed mounting plate.

Unit available in 18", 24" and 36" widths.

Projects 1 3/8" from wall.



SHOWER CURTAINS



MODEL 9533 Bradex®

Vinyl shower curtain. Fabricated of 6-gauge vinyl material. Hemmed edges and heat-sealed grommets on 6" centers. White is standard.

MODEL 9534

Duck shower curtain. Fabricated of 100% cotton duck material with hemmed top edges and chrome-plated nickel grommets on 6" centers. White only.

MODEL 9535

Antimicrobial shower curtain. Fabricated of 10-oz., nylon-reinforced, antimicrobial, 8-gauge vinyl material. Flame resistant and self deodorizing with rust-proof grommet on 6" centers. All sides hemmed. Green is standard.

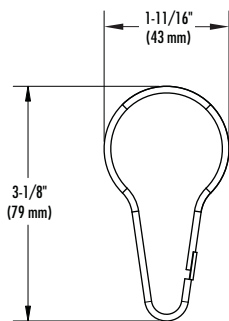
MODEL 9537 Bradex®

Same as Model 9535 shower curtain in white.

Bradex® SIZES

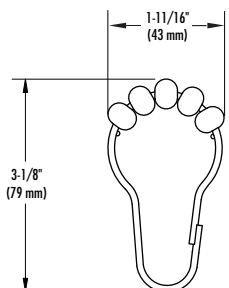
- 36" x 72"
- 42" x 72"
- 48" x 72"
- 72" x 72"

Distributed by
www.AmeraProducts.com
Phone: (800) 608-6568
Fax: (409) 840-5545
info@ameraproducts.com



MODEL 9536 Bradex®

Shower curtain hook.
Fabricated of stainless steel spring.



MODEL 9540 Bradex®

Shower curtain hook with rollers.
Fabricated of stainless steel wire with snap fastener.

See technical data from website.

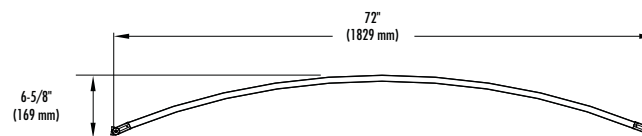
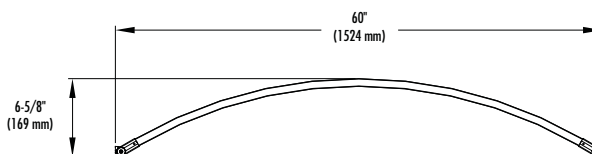


MODEL 9530-60 Bradex®

MODEL 9530-72

Shower curtain rod fabricated of stainless steel, seamless construction with exposed surfaces in architectural satin finish. Accommodates 60" shower stall increasing space in shower stall.

-78 Bright Polished Finish



Distributed by
www.AmeraProducts.com
Phone: (800) 608-6568
Fax: (409) 840-5545
info@ameraproducts.com

SHOWER RODS - EXPOSED MOUNTING



MODEL 9531 Bradex®

Heavy-duty shower curtain rod with exposed mounting. Rod of 18-gauge, satin-finish stainless steel; 1 1/4" O.D. Flanges of 22-gauge, satin-finish stainless steel; 3" O.D. For lengths 72" and greater, model 9522 is required. Must specify distance from ceiling.

MODEL 9531-4 Bright Finish

For lengths 72" and greater, model 9522 is required. Must specify distance from ceiling.

Bradex® SIZES

36", 42", 48" and 60"

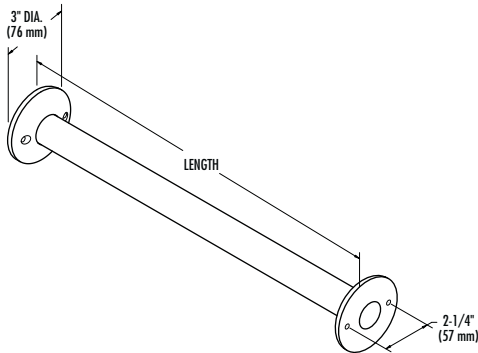
MODEL 953 Bradex®

Shower curtain rod of satin-finish stainless steel; 1" O.D. For rods over 72" and L shaped, specify model 9531 or 9539.

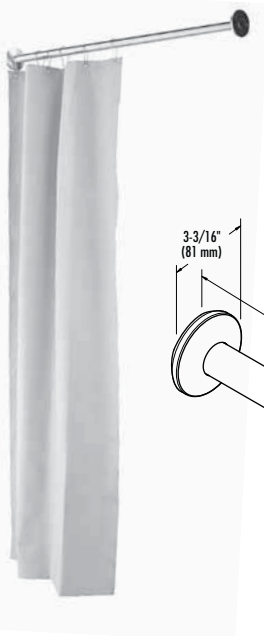
MODEL 953-4 Bright Finish

Bradex® SIZES

36" and 60"



SHOWER RODS - CONCEALED MOUNTING



MODEL 9539 Bradex®

Heavy-duty shower curtain rod with concealed mounting. Fabricated of satin-finish stainless steel; 1 1/4" O.D. Flanges 3 3/8" O.D. Escutcheons snap over flanges to provide concealed mounting. For lengths 72" and greater, model 9522 is required. Must specify distance from ceiling.

MODEL 9539-4 Bright Finish

For lengths 72" and greater, model 9522 is required. Must specify distance from ceiling.

Bradex® SIZES

36" and 60"

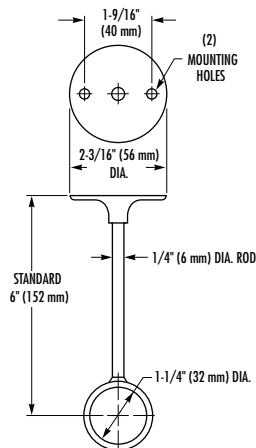
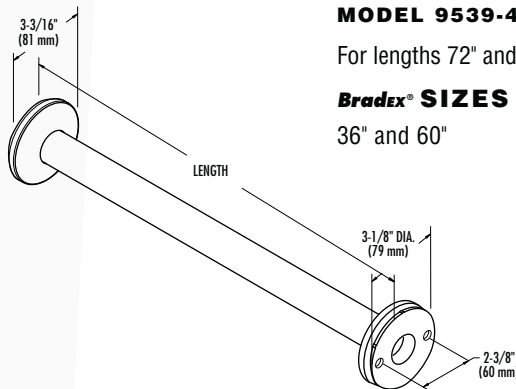
MODEL 9538 Bradex®

Shower curtain rod of satin-finish stainless steel; 1" O.D. For rods over 72" and L shaped, specify model 9531 or 9539.

MODEL 9538-4 Bright Finish

Bradex® SIZES

36" and 60"

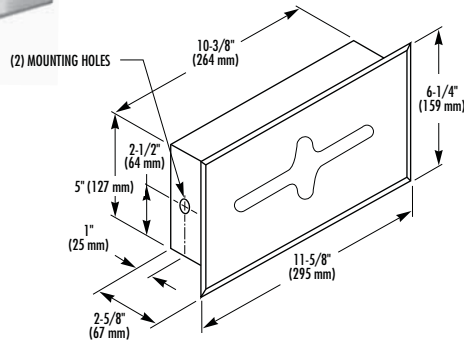
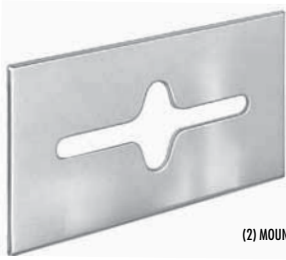


MODEL 9522*

Shower rod ceiling support. For 1 1/4" O.D. shower curtain rod. Chrome-plated brass bracket, stainless steel rod and collar.

* Required for shower rod 72" and greater. Must specify distance from ceiling.

Distributed by
www.AmeraProducts.com
 Phone: (800) 608-6568
 Fax: (409) 840-5545
 info@ameraproducts.com



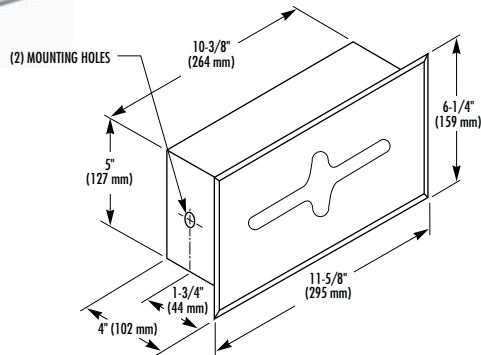
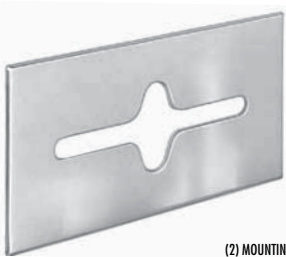
MODEL 987

Recess-mounted facial tissue dispenser fabricated of stainless steel with exposed surfaces in satin finish. Rolled rim on face plate opening. Holds one box of 100 tissues.

Unit measures 11⁵/₈" W x 6¹/₄" H x 2⁵/₈" D.

MODEL 987-78 Polished Stainless Steel Finish

See bradleycorp.com for exact dimensions of each model.

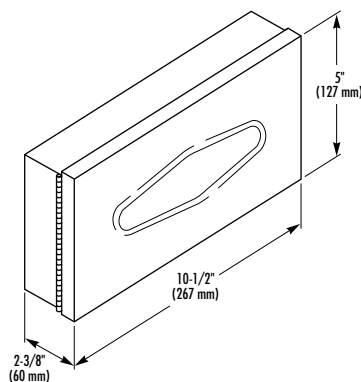


MODEL 987-36 Bradex®

Recess-mounted, large-capacity facial tissue dispenser fabricated of stainless steel with exposed surfaces in satin finish. Holds one box of 300 tissues.

Rough wall opening 10³/₄" W x 5¹/₈" H x 4" D.

See bradleycorp.com for exact dimensions of each model.



MODEL 987-11

Surface-mounted facial tissue dispenser fabricated of stainless steel with exposed surfaces in satin finish. Holds one box of 100 tissues.

Unit measures 10¹/₂" W x 5" H x 2³/₈" D.

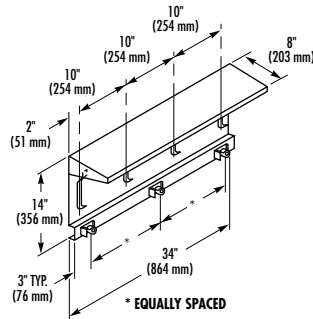
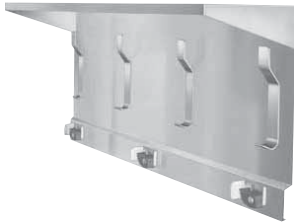
See bradleycorp.com for exact dimensions of each model.



Distributed by
www.Ameraproducts.com
Phone: (800) 608-6568
Fax: (409) 840-5545
info@ameraproducts.com

CUSTODIAL 900 SERIES

Bradley offers a variety of hook, holder and shelf combinations to organize custodial equipment. Different configurations are available to fit any need or any space. Welded stainless steel construction stands up to tough use. Available in architectural satin finish.

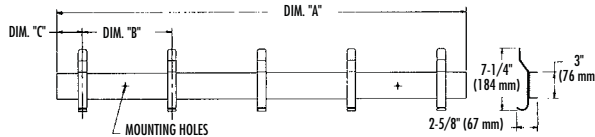


MODEL 9933 Bradex®

One-piece construction with welded gusset and hooks. Mop and broom holders consist of spring-activated rubber cams on plated-steel retainers.

Unit measures 14" H x 34" L. Shelf projects 8" from wall. Has 4 hooks and 3 holders.

MODEL 9934 Unit 44" L, has 5 hooks and 4 holders.



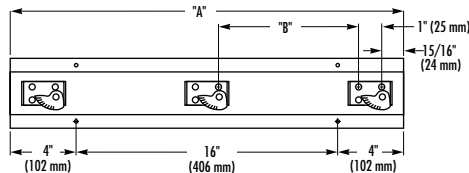
MODEL 9943 Bradex®

Unit measures 7 1/4" H x 24" L. Projects 2 1/4" from wall. Has 3 hooks.

MODEL 9944 Unit 36" L, has 4 hooks.

MODEL 9945 Unit 48" L, has 5 hooks.

MODEL 9946 Unit 60" L, has 6 hooks.



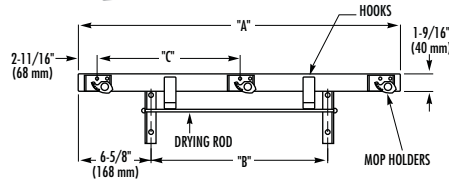
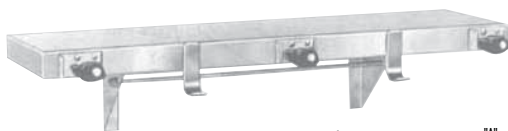
MODEL 9953 Bradex®

Surface-mounted mop and broom holder. Fabricated of satin-finish stainless steel. Mop and broom holders consist of spring-activated rubber cams on plated-steel retainers.

Unit measures 4" H x 24" L. Projects 2 3/4" from wall. Has 3 holders.

MODEL 9954 Unit 36" L, has 4 holders. **Bradex®**

MODEL 9955 Unit 48" L, has 5 holders.



MODEL 9983

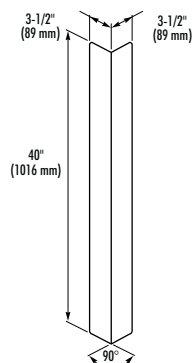
Surface-mounted utility shelf with drying rod. Fabricated of satin-finish stainless steel. Mop and broom holders of spring-activated rubber cams on plated-steel retainers.

Unit measures 30" L x 8" D. Has 2 hooks and 3 holders.

MODEL 9984 Unit 36" L, has 3 hooks and 4 holders. **Bradex®**

MODEL 9985 Unit 42" L, has 4 hooks and 5 holders.

MODEL 9986 Unit 48" L, has 5 hooks and 6 holders.



MODEL 991 Corner Guard

Fabricated of stainless steel with exposed surfaces in architectural satin finish. Exposed surfaces are rounded. No sharp corners. Secured to wall with special adhesive backing.

Unit measures 3 1/2" W x 40" H.

Distributed by
www.Ameraproducts.com
 Phone: (800) 608-6568
 Fax: (409) 840-5545
info@ameraproducts.com

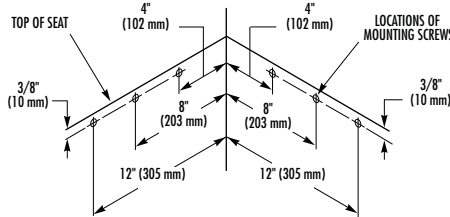
SHOWER SEATS 900 SERIES



MODEL 954

Hinged corner shower seat. Heavy-duty, satin-finish, stainless steel with $\frac{3}{4}$ " return edges. Folds to vertical position when not in use.

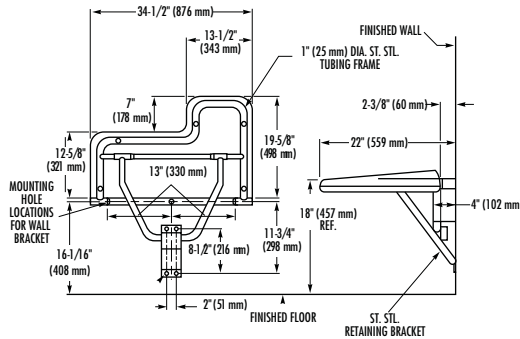
MODEL 9541 Fixed Corner Shower Seat



MODEL 956 Bradex®

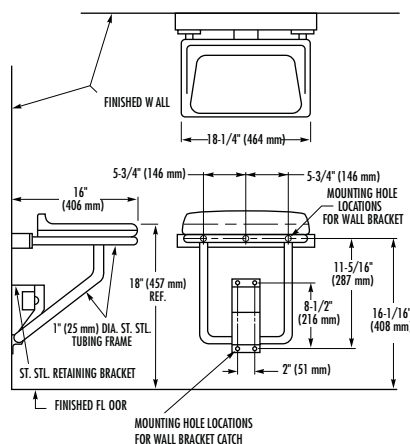
Seat fabricated of molded polyethylene. Contains antimicrobial agent. Folds to vertical position when not in use. Left hand configuration. Designed to support up to 250 lbs. static load.

MODEL 9561 Right Hand Configuration Bradex®



MODEL 9557 Bradex®

Folding shower seat fabricated of molded polyethylene. Contains antimicrobial agent. Stainless steel tubing with stainless steel wall bracket and piano hinges. Folds to vertical position when not in use. Designed to support up to 250 lbs. static load.

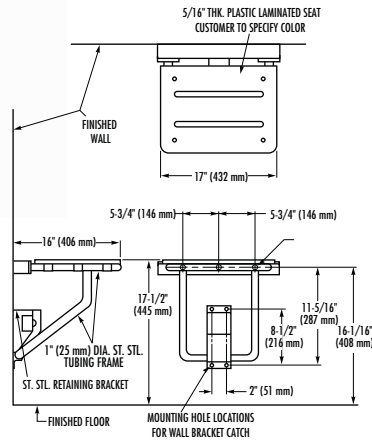


Distributed by
www.Ameraproducts.com

Phone: (800) 608-6568

Fax: (409) 840-5545

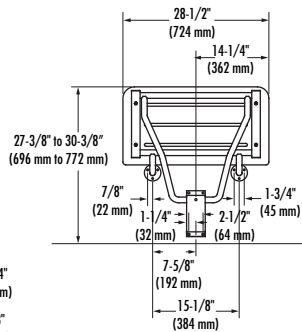
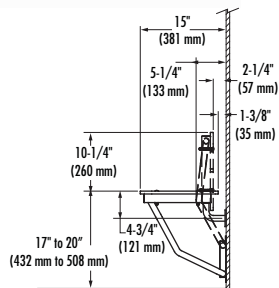
info@ameraproducts.com



MODEL 9558 Bradex®

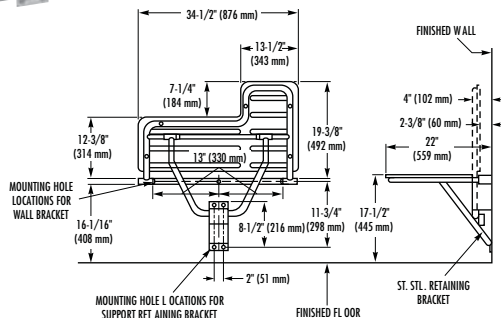
Folding, phenolic shower seat. Stainless steel tubing with stainless steel wall bracket and piano hinges. Seat of 5/16" solid phenolic. Folds to vertical position when not in use. Designed to support up to 250 lbs. static load.

MODEL 9559 African Teak Slats



MODEL 9562

Folding, phenolic shower seat. Stainless steel tubing with stainless steel wall bracket and piano hinges. Seat of 1/2" solid phenolic. Folds to vertical position when not in use. Designed to support up to 400 lbs. static load.



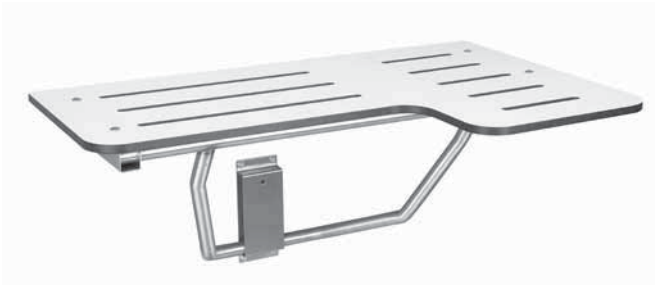
MODEL 9567

Seat with barrier-free design is fabricated of five 1/2"-thick and 3" wide, hand-rubbed African Teak slats with rounded edges secured to a stainless steel frame of 1"-diameter, 18-gauge tubing. When properly installed, designed to support up to 250 lbs. static load.

MODEL 9568 Right Hand Seat with African Teak Slats

Distributed by
www.Ameraproducts.com
 Phone: (800) 608-6568
 Fax: (409) 840-5545
info@ameraproducts.com

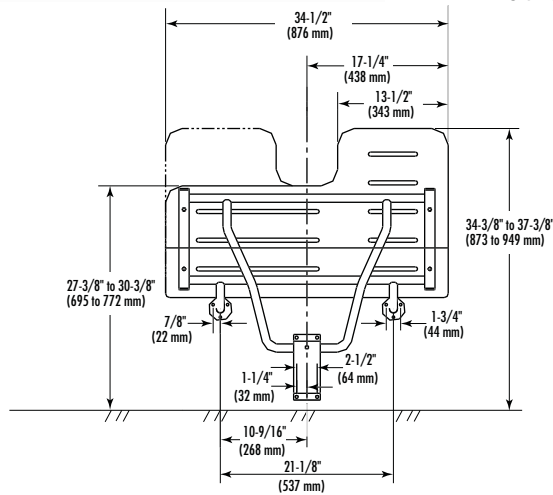
SHOWER SEATS 900 SERIES



MODEL 9569 Bradex®

Frame fabricated with satin-finish, stainless steel, 16-gauge U-channel and 18-gauge 1"-diameter tubing. Seat constructed of ½"-thick solid phenolic with white matte melamine finish. Reversible in field to be right or left. Barrier-free design. For color options, please see website. When properly installed, designed to support up to 250 lbs. static load.

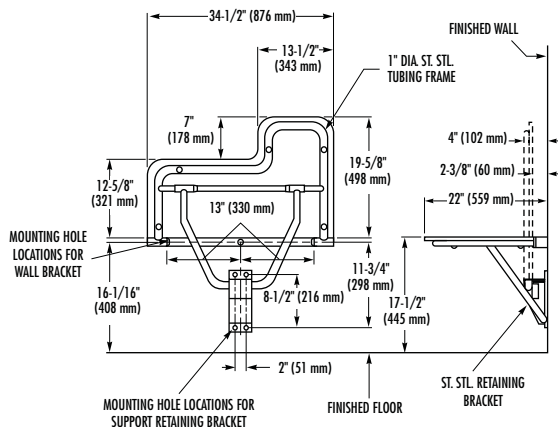
Reversible – Accommodates Right or Left Hand Configuration



MODEL 956-30

Folding stainless steel shower seat with left hand configuration. Frame fabricated of stainless steel tubing with stainless steel wall bracket and piano hinges. Seat of stainless steel with satin finish, rounded corners. Folds to vertical position when not in use. Designed to support up to 250 lbs. static load.

MODEL 9561-30 Right Hand Configuration



Distributed by
www.AmeraProducts.com

Phone: (800) 608-6568

Fax: (409) 840-5545

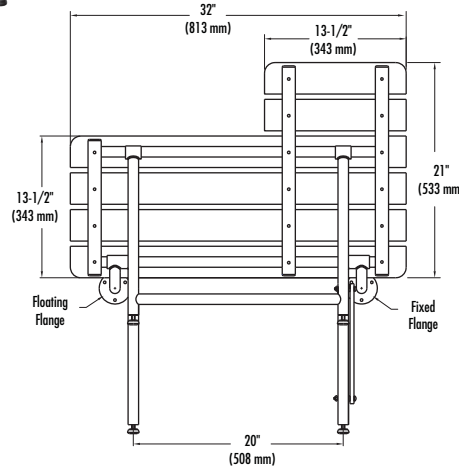
info@ameraproducts.com



MODEL 957 Bariatric Shower Seat

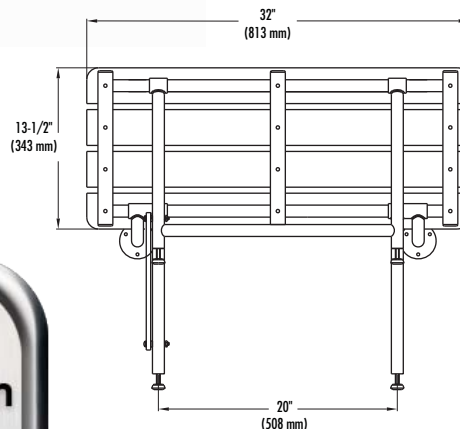
Folding bariatric shower seat with left hand configuration and barrier-free design. Frame fabricated of stainless steel tubing, 1 1/4" x 18-gauge square main frame with 1" x 18-gauge round cross members. Seat of 1/2"-thick solid phenolic with white matte melamine finish. When properly installed, designed to support at least 900 lbs.

MODEL 9571 Right Hand Configuration

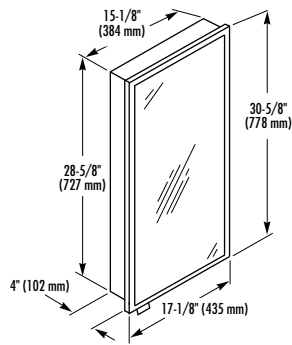


MODEL 958 Bariatric Bench Shower Seat

Folding bariatric shower seat with barrier-free design. Frame fabricated of stainless steel tubing, 1 1/4" x 18-gauge square main frame with 1" x 18-gauge round cross members. Seat of 1/2"-thick solid phenolic with white matte melamine finish. When properly installed, designed to support at least 900 lbs.



Distributed by
www.AmeraProducts.com
 Phone: (800) 608-6568
 Fax: (409) 840-5545
info@ameraproducts.com



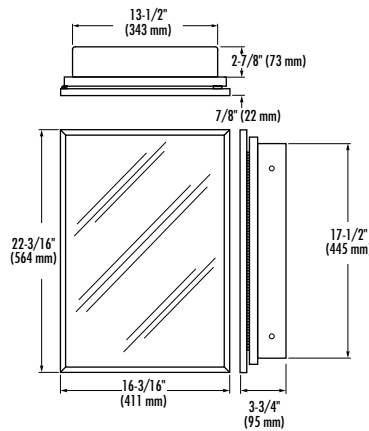
MODEL 175

Recess-mounted, stainless steel medicine cabinet. 1/4" thick mirrored door 17 1/8" W x 30 5/8" H and spring-buffered rodstop. Cabinet may be field inverted for left hand door swing. Three adjustable stainless steel shelves.

Rough wall opening 15 5/8" W x 29 1/8" H x 4" D.

-10 Semi-Recessed

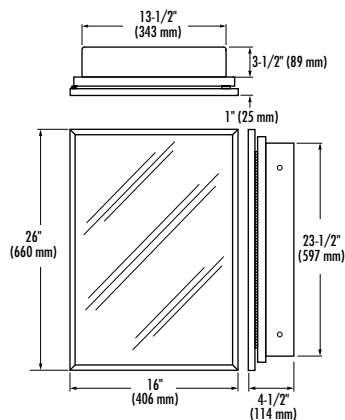
-11 Surface-Mounted



MODEL 9661 Bradex®

Recess-mounted medicine cabinet. Cabinet is fabricated of sturdy one-piece, white injection-molded polystyrene. Door is steel with baked-enamel finish. Door has full piano hinge and magnetic catch. Mirror frame of stainless steel. Two adjustable polystyrene shelves. Reversible to swing either left or right.

Rough wall opening 14" W x 18" H x 3" D.



MODEL 9663 Bradex®

Recess-mounted medicine cabinet. Seamless cabinet fabricated of one-piece, heavy drawn steel with baked-enamel finish. Mirror frame of stainless steel. Mirror of first-quality float glass, electro-copper-plated backed. Three adjustable prepainted metal shelves. Reversible for left or right hand swing.

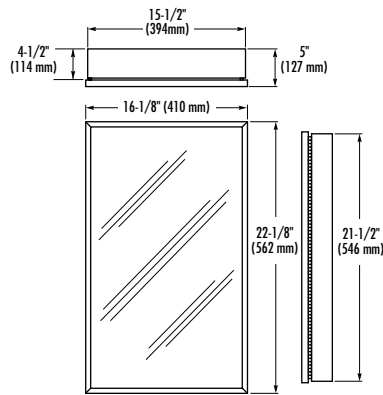
Rough wall opening 14" W x 24" H x 3 5/8" D.

Distributed by
www.Ameraproducts.com

Phone: (800) 608-6568

Fax: (409) 840-5545

info@ameraproducts.com



MODEL 9664 Bradex®

Surface-mounted medicine cabinet. Fabricated of heavy-gauge steel with baked-enamel finish. Mirror frame of stainless steel. Mirror of first-quality float glass, electro-copper-plated backed. Two removable metal shelves. Reversible for left or right hand swing.

Unit measures 16 1/4" W x 22 1/4" H x 5" D.

BABY CHANGING STATIONS

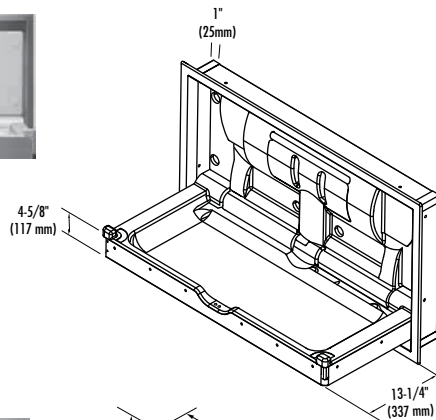
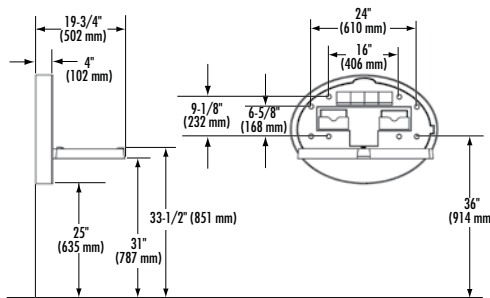


MODEL 961 Bradex®

Surface-mounted, folding, high-density polyethylene unit. Full-length steel hinge mechanism. Molded-in liner dispensers and bag hooks. Attractive gray/white/black granite color. Requires less than 5 lbs. of pull force to open.

MODEL 9611 Solid Light Gray Color Bradex®

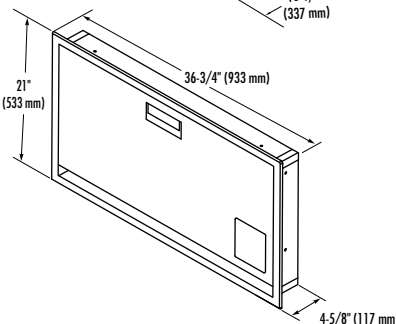
MODEL 9612 Ivory Color Bradex®



MODEL 962 Bradex®

Recess-mounted unit with polyethylene body and barrier-free design. Brushed stainless steel exterior. Standard with molded, dual-liner dispenser (holds approximately 50 per dispenser). Safety belt with cam-buckle is adjustable with one hand. Pneumatic gas shock mechanism ensures smooth, safe open and close motions. Rated to support static load of 250 lbs.

MODEL 962-11 Surface-Mounted Bradex®



Distributed by
www.Ameraproducts.com

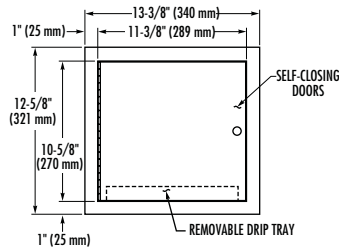
Phone: (800) 608-6568

Fax: (409) 840-5545

info@ameraproducts.com

HEALTH CARE UNITS

Hygiene, durability and safety are featured in Bradley's hospital/patient care line. Fabricated of stainless steel for continuous, trouble-free use.

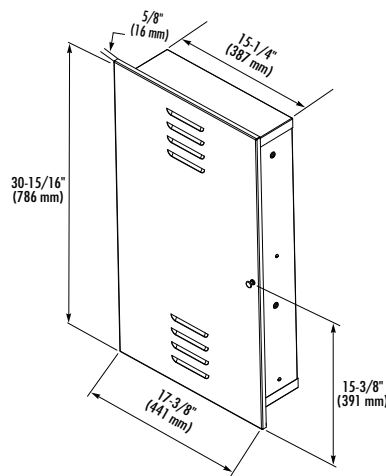


MODEL 9813 *Bradex*[®]

Specimen pass-thru cabinet. Self-closing doors with stainless steel piano hinges and chrome-plated brass knobs. Interlock mechanism prevents both doors from being open at the same time. Equipped with seam-soldered spill tray.

Rough wall opening 11⁵/₈" W x 10⁷/₈" H.

Flanges adjust from 3¹/₂" to 5¹/₂" wall thickness.

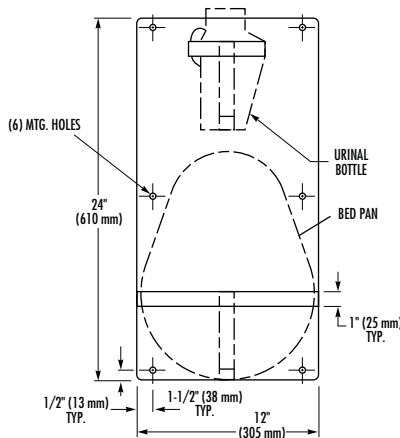


MODEL 990

Recess-mounted bedpan storage cabinet. Door has full-length piano hinge, magnetic catch, rodstop, chrome-plated brass knob and ventilation louvers. Interior rods and removable drip pan. Leak-proof bottom prevents leakage behind unit and into wall structure.

Rough wall opening 15⁵/₈" W x 29¹/₈" H x 5" D.

MODEL 990-11 Surface-Mounted



MODEL 9905

Surface-mounted bedpan and urinal storage unit. Fabricated of stainless steel with exposed surfaces in satin finish.

Unit measures 12" W x 24" H.

Projects 5¹/₂" from wall.

Note: Bedpan and urinal not included.

Distributed by
www.AmeraProducts.com

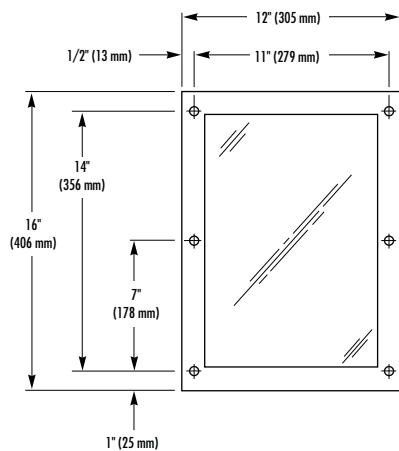
Phone: (800) 608-6568

Fax: (409) 840-5545

info@ameraproducts.com

SECURITY ACCESSORIES

You can rely on Bradley for a complete line of durable Security Fixtures for penal institutions and detention facilities. Our broad-based accessory line ranges from bookshelves and clothes hooks to soap dishes and tissue holders. All are fabricated of heavy-duty stainless steel.



SECURITY MIRRORS

MODEL SA01, SA03

Security mirror frame fabricated of 14-gauge stainless steel. Reinforced with fiberboard backing. Chase mounted with welded anchor nuts on back of frame. Furnished with 1/4"-20 threaded studs cut to length for specified wall thickness. Designed for areas where ordinary mirrors are subject to breakage or theft, or can be used as weapons.

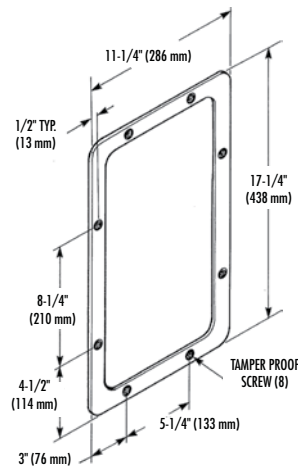
Unit measures 12" W x 16" H.

MODEL SA03

Front mounted furnished with vandal-resistant, torx-head machine screws.

REFLECTIVE SURFACES

- 1 20-gauge, 300 series stainless steel polished to a No. 8 architectural finish.
- 2 20-gauge, 400 series stainless steel with bright annealed finish.
- 5 Plexiglas® mirror.



MODEL SA05 (shown), SA06

Integral frame security mirror fabricated of stainless steel polished to No. 8 architectural bright finish. Counter-sunk holes for mounting. Furnished with 1/4" tamper-resistant machine screws. Designed for areas where ordinary mirrors are subject to breakage or theft, or can be used as weapons.

Unit measures 11 1/4" W x 17 1/4" H.

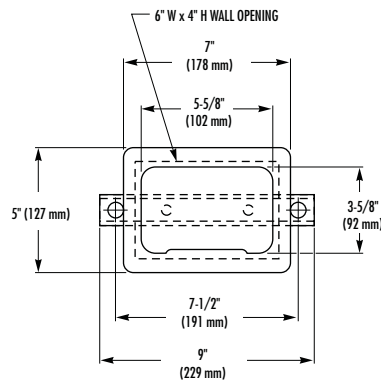
MODEL SA06

Unit measures 10 1/16" W x 11 1/16" H.



Distributed by
www.Ameraproducts.com
 Phone: (800) 608-6568
 Fax: (409) 840-5545
info@ameraproducts.com

SECURITY ACCESSORIES



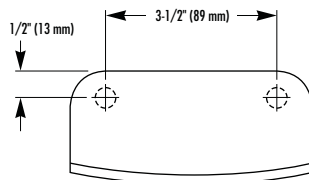
SOAP DISHES

MODEL SA16

Chase-mounted, recessed soap dish fabricated of heavy-duty stainless steel with exposed surfaces in architectural satin finish. Rim of dish is beveled to insure tight fit to wall surface. Threaded studs are provided for rear chase mounting to specified wall thickness.

Unit measures 5⁵/₈" W x 3³/₈" H x 2³/₄" D with 5" x 7" flange.

Ligature-Resistant.



MODEL SA21, SA22

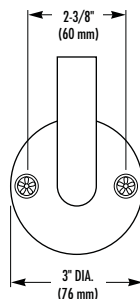
Soap dish fabricated of heavy-duty stainless steel in architectural satin finish. Formed from single-piece stainless steel with three drain holes.

MODEL SA21 Chase-Mounted

Soap dish has welded anchor nuts to receive 1/4"-20 provided studs. Nuts and washers included.

MODEL SA22 Front-Mounted (shown)

Soap dish supplied with 1/4"-20 x 1 1/2" L torx-head machine screws for installation to wall anchors.

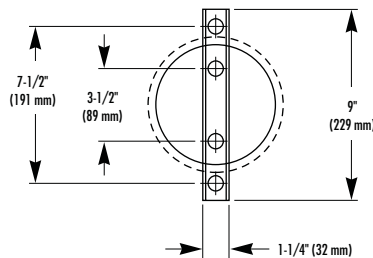


TISSUE HOLDERS

MODEL SA09 Chase-Mounted

MODEL SA10 Front-Mounted (shown)

Security toilet tissue holder is fabricated of heavy-duty, seamless stainless steel tubing with architectural satin finish. Stainless steel end cap is welded and ground smooth.



MODEL SA11

Chase-mounted, recessed, roll toilet tissue holder is one-piece, drawn stainless steel, seamless construction, 4⁵/₁₆" deep, 5 1/2" inside diameter. Roll will project if contraband is concealed behind tissue. Threaded studs are provided for rear mounting to specified wall thickness.

Ligature-Resistant.

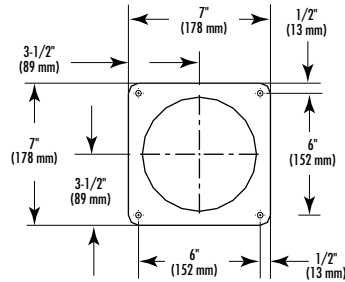


Distributed by
www.Ameraproducts.com

Phone: (800) 608-6568

Fax: (409) 840-5545

info@ameraproducts.com

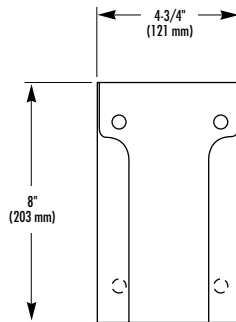


MODEL SA12

Front-mounted, recessed, roll toilet tissue holder is one-piece, drawn construction with welded front flange plate. Unit is 4⁵/₁₆" deep, 5¹/₂" inside diameter. Roll will project if contraband is concealed behind tissue.

Unit measures 7" W x 7" H x 4¹/₂" D.

Ligature-Resistant.



MODEL SA13 Chase-Mounted

MODEL SA14 Front-Mounted (shown)

MODEL SA15 Partition-Mounted (for 1" thick partitions)

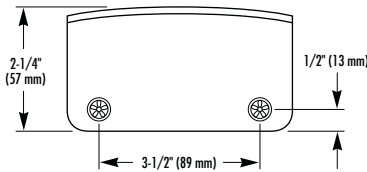
Security toilet tissue holder is fabricated of heavy-duty, seamless stainless steel with exposed surfaces in architectural satin finish. Interior is satin-gloss blast finish. All welds and edges are ground smooth and corners are rounded.

Unit measures 4³/₄" W x 8" H.

Projects 2³/₄" from wall.



TOOTHBRUSH HOLDERS



MODEL SA25 Chase-Mounted

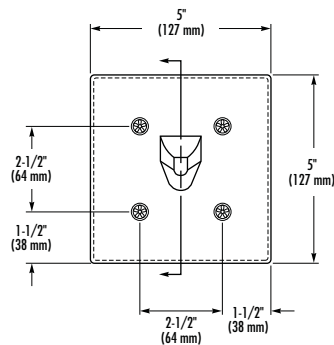
MODEL SA26 Front-Mounted (shown)

Security toothbrush holder fabricated of heavy-duty stainless steel with exposed surfaces in architectural satin finish. Formed from single piece of stainless steel. Holds 4 toothbrushes.

Unit measures 5" W x 2¹/₄" H.

Projects 2¹³/₁₆" from wall.

CLOTHES HOOKS AND BOOKSHELVES



MODEL SA30 Chase-Mounted

MODEL SA31 Front-Mounted (shown)

Security towel hook fabricated of heavy-duty stainless steel with exposed surfaces in architectural satin finish. One-piece formed and ground smooth.

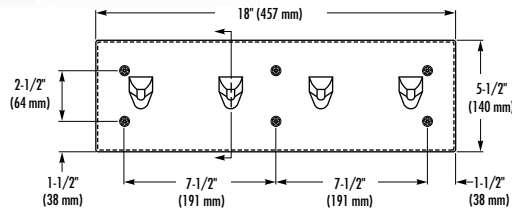
Unit measures 5" W x 5" H.

Projects 1⁵/₁₆" from wall.

Ligature-Resistant.

Distributed by
www.Ameraproducts.com
 Phone: (800) 608-6568
 Fax: (409) 840-5545
info@ameraproducts.com

SECURITY ACCESSORIES



MODEL SA32 Chase-Mounted

MODEL SA33 Front-Mounted (shown)

Security towel hook strip fabricated of heavy-duty stainless steel with exposed surfaces in architectural satin finish. All seams are welded and ground smooth.

Unit measures 18" W x 5½" H.

Projects 1⅝" from wall.

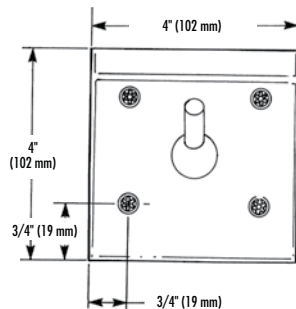
Ligature-Resistant.



SA35



SA36



MODEL SA35 Chase-Mounted

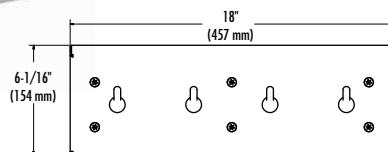
MODEL SA36 Front-Mounted

Security towel hook backplate fabricated of heavy-duty stainless steel in architectural satin finish. Safety hook of stainless steel with pivoting ball joint that releases when excessive force is applied.

Unit measures 4" W x 4" H.

Projects 2¼" from wall.

Ligature-Resistant.

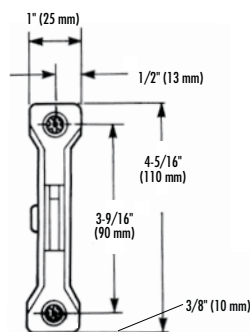


MODEL SA41

Security towel hook strip fabricated of heavy-duty stainless steel with exposed surfaces in architectural satin finish. All seams are welded and ground smooth. Safety hooks with pivoting ball joints that release when excessive force is applied.

Unit measures 18" W x 6⅛" H x 2¼" D.

Ligature-Resistant.



MODEL SA37 Front-Mounted *Bradex*®

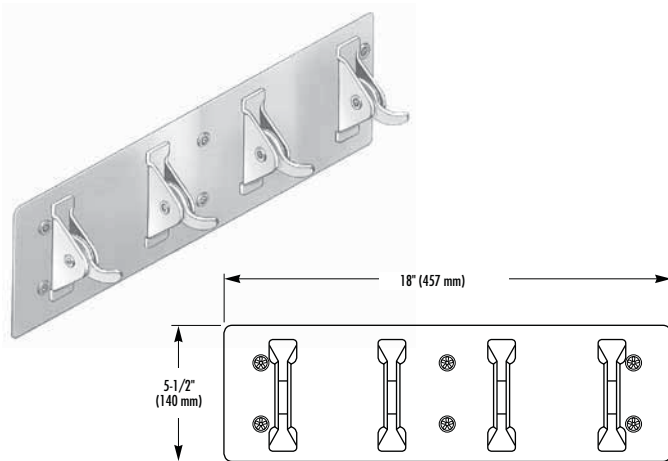
Safety clothes hook. Bracket is fabricated of heavy-duty stainless steel with stainless steel hook. Hook trips into down position when excessive loading is applied. Tension can be adjusted by special torx driver.

Unit measures 1" W x 4⅝" H.

Projects 3" from wall.

Ligature-Resistant.

Distributed by
www.Ameraproducts.com
 Phone: (800) 608-6568
 Fax: (409) 840-5545
info@ameraproducts.com



MODEL SA38 Chase-Mounted

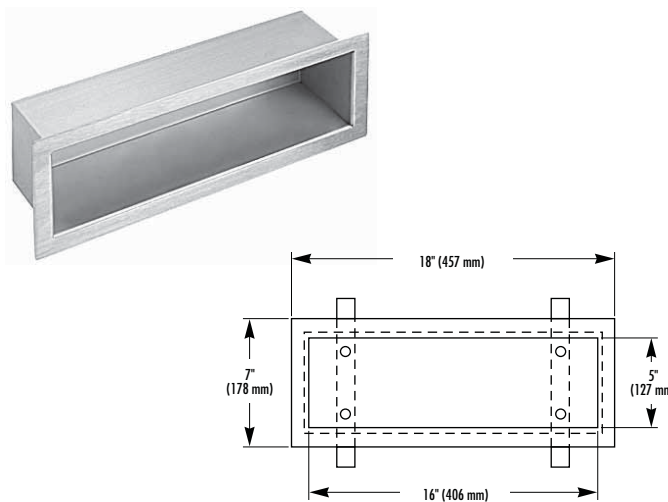
MODEL SA39 Front-Mounted (shown)

Security clothes hook strip. Bracket is fabricated of heavy-duty stainless steel with stainless steel hook. Hook trips into down position when excessive loading is applied.

Unit measures 18" W x 5½" H.

Projects 3" from wall.

Ligature-Resistant.

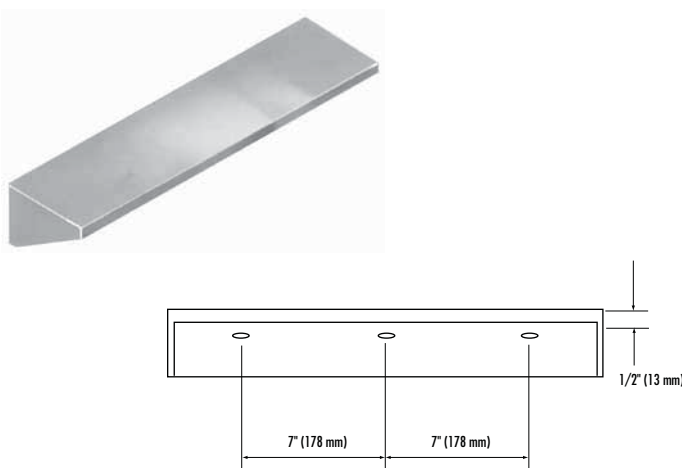


MODEL SA47 Chase-Mounted

Chase mounted, recessed shelf is fabricated of heavy-duty stainless steel with exposed surfaces in satin finish. Threaded studs are provided for rear mounting to specified wall thickness.

Unit measures 16" W x 5" H x 4" D with 18" x 7" flange.

Ligature-Resistant.



MODEL SA49 Chase-Mounted

Security, recessed shelf fabricated of heavy-duty stainless steel with exposed surfaces in architectural satin finish. All welds are ground smooth with polished corners and burr-free edges. Back of shelf has welded anchor nuts to receive threaded studs (provided).

Unit measures 16" W x 2 5/16" H.

Projects 4" from wall.

Ligature-Resistant.

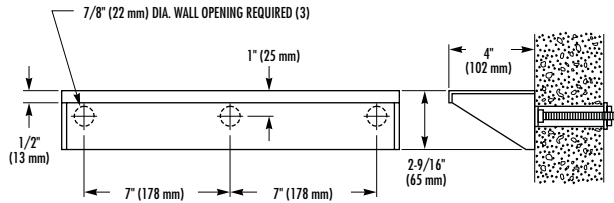
Distributed by
www.AmeraProducts.com

Phone: (800) 608-6568

Fax: (409) 840-5545

info@ameraproducts.com

SECURITY ACCESSORIES

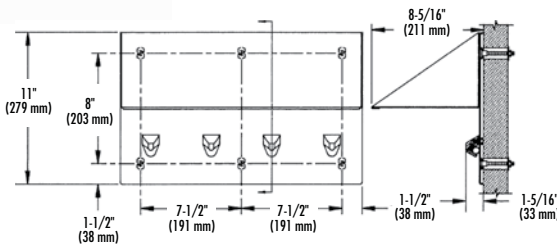


MODEL SA50 Chase-Mounted

Chase mounted, security shelf with toothbrush slots. Fabricated of heavy-duty stainless steel in architectural satin finish. Four slots for toothbrushes. Threaded studs are provided for rear mounting to specified wall thickness.

Unit measures 18" W x 2 3/16" H.

Projects 4" from wall.



MODEL SA51 Chase-Mounted (shown)

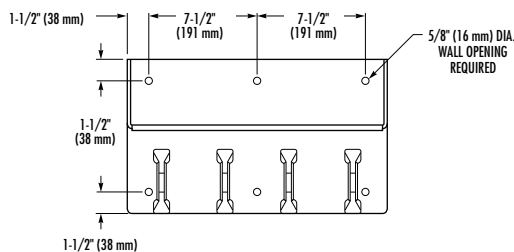
MODEL SA52 Front-Mounted

Security bookshelf with clothes hooks fabricated of heavy-duty stainless steel with exposed surfaces in architectural satin finish. All seams are welded and ground smooth. Shelf interior is glass blasted to a uniform finish. Safety hooks fabricated of bright, chrome-plated brass housing with stainless steel ball and spring. Friction mechanism releases when excessive force is applied.

Unit measures 18" W x 11" H.

Projects 8 5/16" from wall.

Ligature-Resistant.



MODEL SA53 Chase-Mounted (shown)

MODEL SA54 Front-Mounted

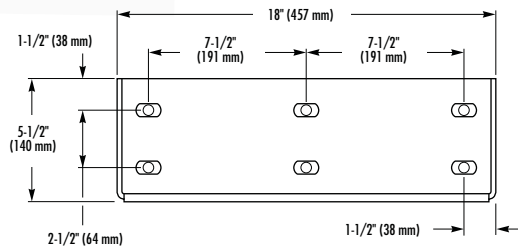
Security bookshelf with clothes hooks. Shelf and backplate are fabricated of heavy-duty stainless steel with architectural satin finish. Shelf interior is glass-blast satin finish. Bracket is fabricated of heavy-duty stainless steel with stainless steel hooks. Threaded studs are provided for rear mounting to specified wall thickness.

Unit measures 18" W x 11" H.

Projects 8" from wall.

Ligature-Resistant.

Distributed by
www.Ameraproducts.com
Phone: (800) 608-6568
Fax: (409) 840-5545
info@ameraproducts.com



MODEL SA55 Chase-Mounted (shown)

MODEL SA56 Front-Mounted

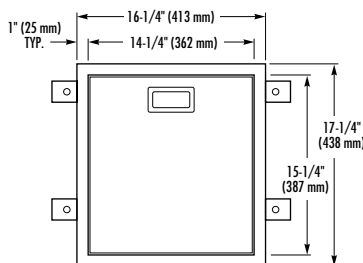
Security bookshelf fabricated of heavy-duty stainless steel with exposed surfaces in architectural satin finish. All seams are welded and ground smooth. Shelf interior is glass-bead blast finish. Backplate on rear-mounted unit has welded anchor nuts to receive threaded studs (provided).

Unit measures 18" W x 5 1/2" H.

Projects 8" from wall.

Ligature-Resistant.

RECESSED SEAT



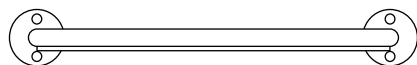
MODEL SA65 Recessed

Recessed seat opens out from wall to provide sturdy bench seating. Folds up into recessed housing when not in use. Seat fabricated of heavy-duty stainless steel. Exterior surfaces polished to No. 4 satin finish. Hinge is solid 3/8" diameter stainless steel bar. Seat supports up to 750 pounds.

Unit measures 16 1/4" W x 17 1/4" H.

Open seat projects 12 1/4" from wall.

GRAB BAR



MODEL SA70 Bradex®

Heavy-duty stainless steel tubing 1 1/2" O.D. with welded stainless steel mounting flanges. Meets or exceeds the requirements of ANSI Standard A117.1, the ADA and ABA Accessibility Guidelines for Buildings and Facilities (ADAAG) and the Uniform Federal Accessibility Standard (UFAS). Exposed front mounting with torx-head screws with **welded stainless steel closure plate to thwart suicide attempts.**

Ligature-Resistant.



Distributed by
www.AmeraProducts.com
Phone: (800) 608-6568
Fax: (409) 840-5545
info@ameraproducts.com

BRADMAR™

Fabricated from 30% pre-consumer or 100% post-consumer recycled high-density polyethylene (HDPE). No-Site™ style partitions with **no gap between the doors and pilasters** are available in Bradmar. Standard colors including speckled and solid colors with stainless steel shoes and aluminum wall brackets. Suited for humid and wet areas, and high-traffic or vandal-prone locations. Recommended for schools, parks, recreation centers. 15-year warranty.

HARDWARE: Heavy-duty aluminum.



PHENOLIC

Highly durable. Almost any Formica®, Arborite®, or Trespa color/pattern can be selected. Edges are solid black. Recommended for humid and wet areas. Resists water, oil, and bacteria. Withstands hose-down cleaning. Suited for outdoor parks, pools, shower rooms. 3-year warranty against delamination and discoloration.

HARDWARE: Heavy-duty, cast stainless steel, stamped stainless steel door hinges.



PLASTIC LAMINATE

Almost any Formica® or Wilsonart® color/pattern can be selected. Edges are laminated. Best where style and low cost are priority and in dry area with lower vandalism. Recommended for restaurants, movie theaters, retail and office buildings. 3-year warranty against delamination and discoloration.

HARDWARE: Heavy-duty, chromed Zamac.



BAKED ENAMEL

21 standard colors. High-quality gloss finish. Low cost. Recommended for office buildings, restaurants, religious institutions and environments less prone to vandals. 15-year warranty against rust-out.

HARDWARE:
Heavy-duty, chromed Zamac.



FUSION GRANITE

Four colors of natural granite and three stainless steel finishes. Combines the natural beauty and durability of granite with the sleek style of stainless steel.



STAINLESS STEEL

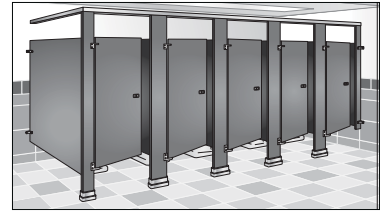
High design and contemporary style. Soft brushed satin finish, 5WL textured or leather-grain patterns available. Textured patterns wrap around edges. Recommended for airports, stadiums, rest stops. 15-year warranty against rust-out.

HARDWARE: Heavy-duty, chromed Zamac.



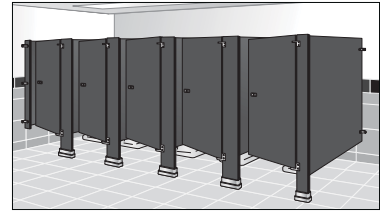
SENTINEL™ OVERHEAD BRACED – SERIES 400

Overhead braced partitions provide the most economical solution for heavy-traffic and vandalism-prone areas. Because it requires no special floor or ceiling construction, installation is easy in new or old buildings. The anti-grip head rail provides outstanding rigidity.



FLOOR BRACED – SERIES 500

This style complements design with functional performance. Recommended for buildings with high ceilings, it enhances the effect of spaciousness. A minimum of 3" concrete construction is required for anchoring. This style is not available in Bradmar solid plastic.



CEILING HUNG – SERIES 600

Ideal for areas with low ceilings. Offering an area free from obstruction to allow for fast and easy maintenance, this system requires proper structural supports in the ceiling for maximum rigidity. Not recommended for ceiling heights over 8 feet. This style is not available in Bradmar solid plastic.



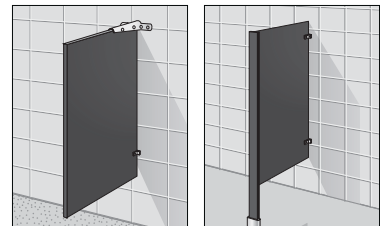
FLOOR-TO-CEILING – SERIES 700

Anchored at the floor and ceiling, main structural support can be provided by Series 500 or 600 mounting systems. Perfect for areas where additional support is required.



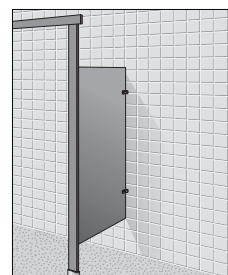
URINAL SCREENS

Wall-hung style provides economy and ease of maintenance while floor supported or floor-to-ceiling (not shown) screens offer extra stability for high-traffic areas.



SHOWER DIVIDERS

Available in Bradmar® solid plastic, an advanced formula of high-density polyethylene (HDPE). Standard sized or customized to meet your facility layout, Bradmar shower dividers are available in multiple colors, including speckled and solid colors (see bradleycorp.com for complete list of colors). All Bradmar solid plastic products are covered by a 15-year warranty.



Design flexibility is a prime feature of Lenox® Lockers, offering countless options and configurations. Installation is simple. Lockers are shipped fully assembled and ready for attachment to the wall and each other.

Solid plastic lockers are formed of polymer resin with homogeneous color. Doors and frames are ½" thick, and sides, shelves, tops and bottoms are ⅜" thick. Locker box is one piece, all welded construction, providing outstanding rigidity and strength. Continuous latch bar runs the entire length of the door, providing a secure closure. Handle mechanism is capable of accepting a padlock and is securely fastened to the door. Stainless steel piano hinge is continuous and integrates into the full length of the door and main locker body.

20-year warranty against rust, delamination or breakage of any of the plastic components under normal use.

OPTIONS INCLUDE:

- Built-in Key Locks
- Built-in Combination Locks
- Coin-Operated Locks
- Card Locks
- Keypad Locks
- Combination Padlocks
- End Panels
- Solid Plastic Bases
- Slope Tops
- Colored Flat Tops
- Mesh Doors
- Engraved Logos
- Number Plates
- Plastic Coat Hooks
- Coat Rods
- Wall Hooks
- Fillers
- Mirrors



Z-LOCKER

Z-Locker design provides practical multi-tiered storage without wasting valuable floor space or compromising customer satisfaction. Double your locker availability while still providing clients with hanging space to keep garments wrinkle free.



CUBBY LOCKER

The easy-access cubby locker is perfect for items that do not require locked storage. The durable cubby is shipped fully assembled and can reduce installation costs by up to 50 percent.



Note:
 Three cubby lockers shown.

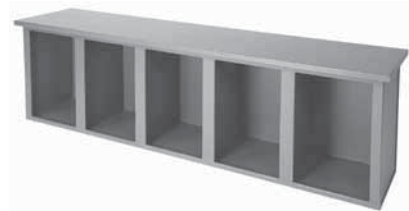
LOCKER BENCH

The 1" thick bench top is smooth, seamless and oversized. The 20" locker underneath provides valuable additional storage space. Available in three-foot through six-foot lengths.



CUBBY BENCH

Convenient seating and easy-access storage in one. Space-saving solution available in 12 colors. Shipped fully assembled.



PEDESTAL BENCH

The bench top is 1½" thick and available in 36" to 96" in one-foot increments. Pedestals are black anodized aluminum. **ADA-compliant height is 18½."** 9½", 12", 18" and 24" widths available.



GEAR LOCKERS

Wider and deeper than standard lockers, Lenox® Gear Lockers provide maximum storage and maximum durability with the best lead time and best warranty available!



MAINTENANCE INSTRUCTIONS

STAINLESS STEEL

Stainless Steel is a low-carbon steel that contains chromium. The addition of chromium gives the steel its unique corrosion-resisting properties. It is extremely durable, resists corrosion, and stands up to many chemicals.

Despite the fact that stainless steel surfaces are generally non-tarnishing, they are not stain or rust proof. Stainless steel must be kept clean and free from contaminants. Frequent cleaning with mild soap and water or glass cleaner and a cotton cloth is required. Any discoloration or corrosion (commonly caused by contact with harsh cleaner, muriatic acid or bleach solution) should be removed as soon as possible or permanent discoloration and pitting of the surface could occur. Most discoloration can be removed with a mild cleanser or stainless steel cleaner and a Scotchbrite pad. The surface should then be thoroughly rinsed with clear water. With proper maintenance, stainless steel will maintain its luster and appearance indefinitely.



MIRRORS

Bradley mirrors are fabricated from heavy-gauge stainless steel frames and plate glass or an alternative reflective surface. The frame can be cared for by following the general stainless steel maintenance instructions above. Reflective surfaces can be cleaned with any standard non-abrasive glass cleaner and a soft cloth. Care must be taken to avoid allowing the cleaner to run down the surface of the mirror and collect in the frame. If allowed to continue, this could lead to premature silver spoilage and spotting on stainless steel.



SOAP DISPENSERS

Bradley soap dispensers provide dependable, consistent operation over the long term when the proper soap is used and when a minimal amount of periodic maintenance is performed on the valves. Soaps satisfying these basic guidelines will provide consistent flow and reduce clogs.

Soap thickness is determined by a measurement called viscosity. Soap viscosity should be between 100 cps (centerpoise) and 2500 cps for all Bradley soap dispensers. The pH (acid) level of soaps that will perform consistently should be in the range of 6.5 to 8.5. More acidic soaps (pH levels lower than 6.5) will corrode metal parts (even stainless steel) and degrade rubber and plastic components. Most inexpensive soaps (typically the pink lotion type) fall into this acidic category and will eventually cause valve failure and metal corrosion. PCMX or Isopropanol-based antibacterial soaps (within viscosity and pH limits) will also work with Bradley dispensers.

Valves must also be maintained (cleaned) to function properly. At the very minimum, hot water should be pumped through valves periodically to clear out soap residue. Ideally valves should occasionally be soaked for 30 minutes in hot water or a soap valve cleaning solution. With proper maintenance and soap, Bradley dispensers will provide long-term, trouble-free operation.



Distributed by
www.Ameraproducts.com

Phone: (800) 608-6568

Fax: (409) 840-5545

info@ameraproducts.com

INDEX

MODEL NO.	PAGE	MODEL NO.	PAGE	MODEL NO.	PAGE	MODEL NO.	PAGE
130	6	377-37	24	780	44	2017	10
155	6	377-3738	24	781	44	2027	10
175	74	377-38	24	782	45	2037	10
194	6	4A00	4, 27	790	47	2251	11
198	7	4A10-11	4, 27	812	49	2252	11
2A00	2, 8	4A11	4, 27	817	49	2271	12
2A01	2, 8	4A20	4, 25	832	49	2277	12
2A02	2, 8	401	25	837	49	2291	13
2A09	2, 8	402	25	852	49	2297	13
2A10-11	2, 8	403	26	900	56	2441	15
2A05	3, 9	404	26	901	64	2442	15
2A15-36	3, 9	407	26	901-60	64	2447	15
2A25-36	3, 9	426	26	907	65	2479	16
2A95-36	3, 9	5A00	5, 29	908	63	2481	16
225	11	5A10	5, 29	911	64	2482-11	16
227	12	5A20	5, 29	912	64	2483	17
229	12	5A40-11	5, 37	914	64	2492	17
234	13	505	30	915	65	2494	17
234-35	13	508	31	917	58	2495	17
234-65	13	508-32	31	921	61	2496	18
235	13	510	33	921-60	61	2497	18
236	14	515	34	924	61	2902-280000	20
237	14	522	30	926	62	2902-287300	20
237-35	14	523	31	927	62	2902-287400	20
237-65	14	582	37	931	62	2903-280000	20
238	10	583	37	932	63	2904-280000	20
244	15	584	37	934	63	2905-287300	20
247	16	591	35	940	60	3157	21
250-15	18	592	35	947	63	3251	22
251-15	18	594	36	953	67	3257	22
252	19	6A00-11	5, 38	953-4	67	3565	23
259	19	643	38	954	70	4017	25
270	19	644	38	956	70	4721-15	27
3A05	4, 21	646	38	956-30	72	4722-1015	27
3A15-11	4, 21	648	41	957	73	4722-15	28
315-35	22	650	41	958	73	4731-15	28
344	22	655	42	961	75	4737	28
344-35	22	657	42	962	75	4781-15	28
344-65	22	658-30	42	962-11	75	4791-15	28
355	23	661	43	987	68	5053	30
355-35	23	662	43	987-11	68	5054	30
356	23	740	45	987-36	68	5061	29
356-35	23	747	45	987-78	68	5071	30
357	23	747F	45	990	76	5084	31
357-35	23	747W	46	990-11	76	5085	31
359	24	748	47	991	69	5102	33
377	24	755	47	1471	6	5103	33
377-36	24	756	47	1981	7	5104	33
377-3637	24	758	47	1985	7	5105	33

MODEL NO.	PAGE	MODEL NO.	PAGE	MODEL NO.	PAGE	MODEL NO.	PAGE
5106	31	7471	45	9362	60	9955	69
5123	33	7481	47	9363	60	9983	69
5124	34	7510	47	9401	61	9984	69
5125	34	7512	47	9402	60	9985	69
5126	31	7805	44	9403	61	9986	69
5127	34	7815	44	9403-96	61	P10-696	24
5224	30	8170-158	55	9495	61	P15-025	24
5234	31	8170-1581	55	9522	67	P15-098	24
5235	31	8370-101	55	9530-60	66	P15-195	24
5241	30	8370-102	55	9530-72	66	SA01	77
5262	32	8370-103	55	9531	67	SA03	77
5263	32	9001	56	9531-4	67	SA05	77
5402	33	9014	56	9533	65	SA06	77
5412	34	9015	56	9534	65	SA09	78
5422	34	9034	56	9535	65	SA10	78
5424	32	9035	56	9536	66	SA11	78
5425	32	9044	56	9537	65	SA12	79
5831	37	9045	56	9538	67	SA13	79
5847	37	9054	57	9538-4	67	SA14	79
5911	35	9055	57	9539	67	SA15	79
5912	35	9065	57	9539-4	67	SA16	78
5921	36	9066	57	9540	66	SA21	78
5922	36	9094	57	9541	70	SA22	78
5932	36	9095	57	9557	70	SA25	79
5942	36	9104	57	9558	71	SA26	79
6315	39	9104-90	57	9559	71	SA30	79
6315-KT0000	39	9105	57	9561	70	SA31	79
6322	39	9105-90	57	9561-30	72	SA32	80
6322-67	39	9111	58	9562	71	SA33	80
6322-68	39	9114	58	9567	71	SA35	80
6324	39	9115	58	9568	71	SA36	80
6324-67	39	9118	64	9569	72	SA37	80
6324-68	39	9119	64	9571	73	SA38	81
6326	40	9124	58	9611	75	SA39	81
6326-67	40	9125	58	9612	75	SA41	80
6326-68	40	9134	58	9661	74	SA47	81
6334	40	9135	58	9663	74	SA49	81
6437	38	9144	59	9664	75	SA50	82
6481	41	9180	59	9813	76	SA51	82
6501	41	9182	59	9905	76	SA52	82
6531	43	9301	62	9933	69	SA53	82
6542	40	9311	63	9934	69	SA54	82
6562	41	9314	59	9943	69	SA55	83
6563	41	9315	59	9944	69	SA56	83
6583	43	9334	60	9945	69	SA65	83
6843	43	9335	60	9946	69	SA70	83
7405	45	9352	60	9953	69		
		9353	60	9954	69		



Commercial Washroom Innovation

Distributed by
www.AmeraProducts.com
Phone: (800) 608-6568
Fax: (409) 840-5545
info@ameraproducts.com

